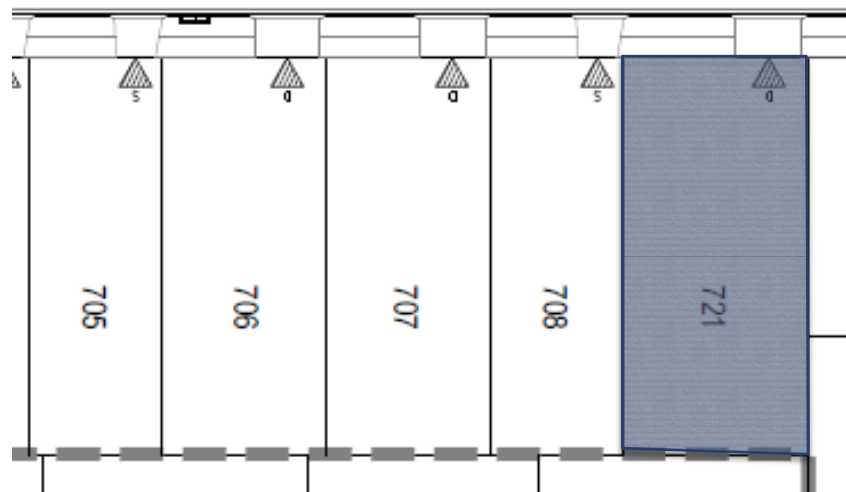



Controlled Fill Certificate



Certificate of Controlled Filling
Earthworks Operations (AS3798 – Level 1 Inspection & Testing)
AGTE240310, William Lakes Stage 7
Lot 721



 Level 1 Site Area

The filling in the areas as defined above and in the Level 1 Report pertaining to the above mentioned project meets the requirements for “structural fill for residential applications” in accordance with AS3798. The fill has been placed, compacted and tested in accordance with AS3798 and the fill meets the requirements for controlled fill in accordance with AS2870 (2011) “Residential Slabs and Footings”.

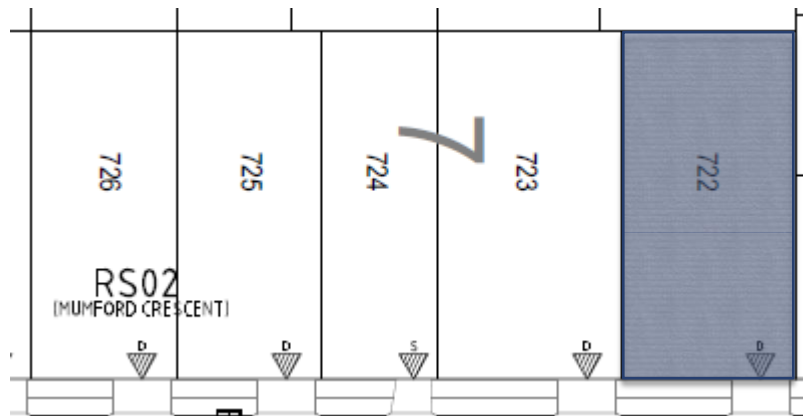


Shin To Amiri
Senior Geotechnical Engineer
MIE Aust (EA ID: 6820691)
Ph.D. (Geotechnical Engineering),
M.Eng. (Geotechnical Engineering)
B.Eng. (Civil Engineering)
shina@ausgeotest.com.au
Mob: 0448597976

Controlled Fill Certificate



**Certificate of Controlled Filling
Earthworks Operations (AS3798 – Level 1 Inspection & Testing)
AGTE240310, William Lakes Stage 7
Lot 722**



 Level 1 Site Area

The filling in the areas as defined above and in the Level 1 Report pertaining to the above mentioned project meets the requirements for “structural fill for residential applications” in accordance with AS3798. The fill has been placed, compacted and tested in accordance with AS3798 and the fill meets the requirements for controlled fill in accordance with AS2870 (2011) “Residential Slabs and Footings”.

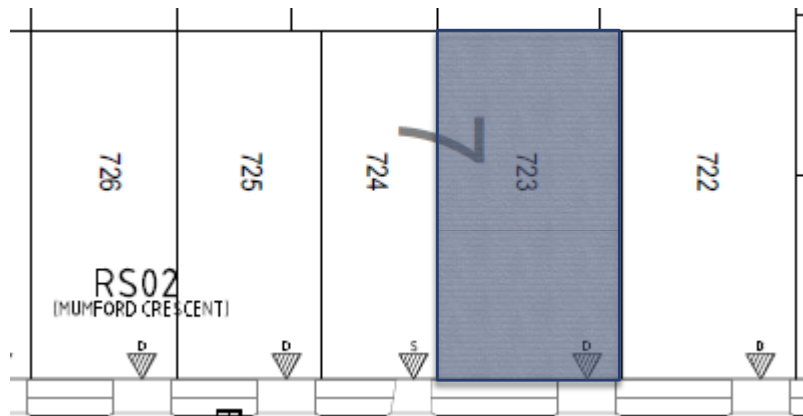


Shin To Amiri
Senior Geotechnical Engineer
MIE Aust (EA ID: 6820691)
Ph.D. (Geotechnical Engineering),
M.Eng. (Geotechnical Engineering)
B.Eng. (Civil Engineering)
shina@ausgeotest.com.au
Mob: 0448597976

Controlled Fill Certificate



**Certificate of Controlled Filling
Earthworks Operations (AS3798 – Level 1 Inspection & Testing)
AGTE240310, William Lakes Stage 7
Lot 723**



 Level 1 Site Area

The filling in the areas as defined above and in the Level 1 Report pertaining to the above mentioned project meets the requirements for “structural fill for residential applications” in accordance with AS3798. The fill has been placed, compacted and tested in accordance with AS3798 and the fill meets the requirements for controlled fill in accordance with AS2870 (2011) “Residential Slabs and Footings”.

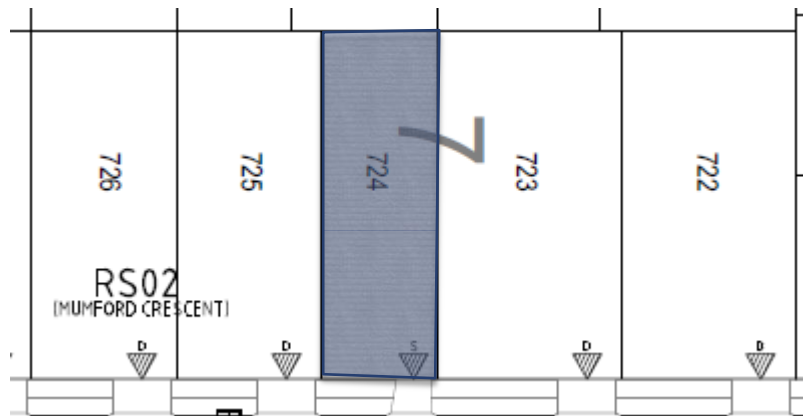



Shin To Amiri
Senior Geotechnical Engineer
MIE Aust (EA ID: 6820691)
Ph.D. (Geotechnical Engineering),
M.Eng. (Geotechnical Engineering)
B.Eng. (Civil Engineering)
shina@ausgeotest.com.au
Mob: 0448597976

Controlled Fill Certificate



**Certificate of Controlled Filling
Earthworks Operations (AS3798 – Level 1 Inspection & Testing)
AGTE240310, William Lakes Stage 7
Lot 724**



 Level 1 Site Area

The filling in the areas as defined above and in the Level 1 Report pertaining to the above mentioned project meets the requirements for “structural fill for residential applications” in accordance with AS3798. The fill has been placed, compacted and tested in accordance with AS3798 and the fill meets the requirements for controlled fill in accordance with AS2870 (2011) “Residential Slabs and Footings”.

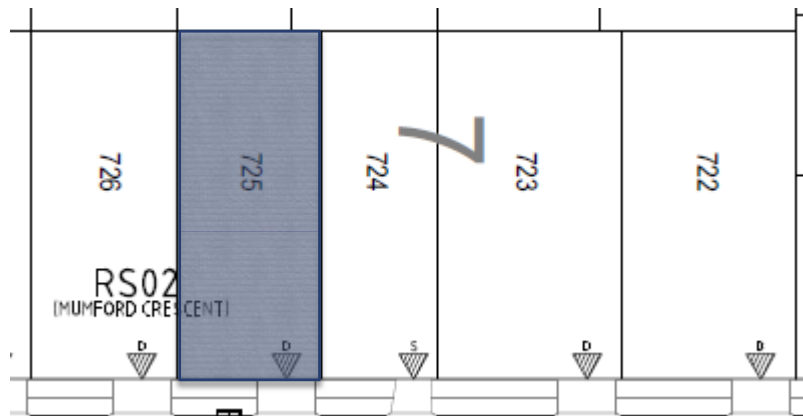



Shin To Amiri
Senior Geotechnical Engineer
MIE Aust (EA ID: 6820691)
Ph.D. (Geotechnical Engineering),
M.Eng. (Geotechnical Engineering)
B.Eng. (Civil Engineering)
shina@ausgeotest.com.au
Mob: 0448597976

Controlled Fill Certificate



**Certificate of Controlled Filling
Earthworks Operations (AS3798 – Level 1 Inspection & Testing)
AGTE240310, William Lakes Stage 7
Lot 725**



 Level 1 Site Area

The filling in the areas as defined above and in the Level 1 Report pertaining to the above mentioned project meets the requirements for “structural fill for residential applications” in accordance with AS3798. The fill has been placed, compacted and tested in accordance with AS3798 and the fill meets the requirements for controlled fill in accordance with AS2870 (2011) “Residential Slabs and Footings”.

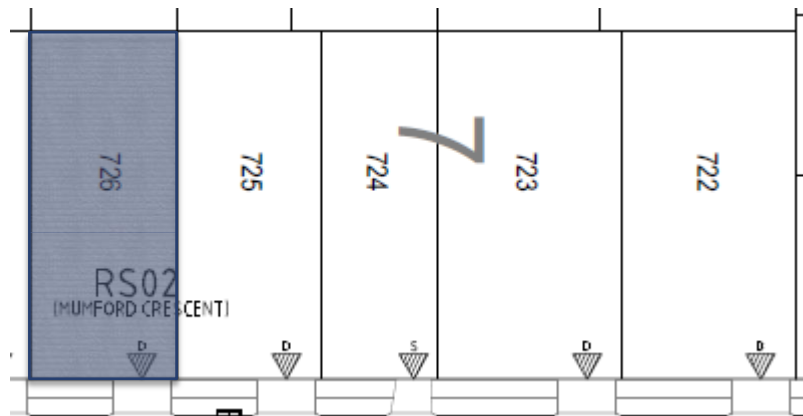



Shin To Amiri
Senior Geotechnical Engineer
MIE Aust (EA ID: 6820691)
Ph.D. (Geotechnical Engineering),
M.Eng. (Geotechnical Engineering)
B.Eng. (Civil Engineering)
shina@ausgeotest.com.au
Mob: 0448597976

Controlled Fill Certificate



**Certificate of Controlled Filling
Earthworks Operations (AS3798 – Level 1 Inspection & Testing)
AGTE240310, William Lakes Stage 7
Lot 726**



 Level 1 Site Area

The filling in the areas as defined above and in the Level 1 Report pertaining to the above mentioned project meets the requirements for “structural fill for residential applications” in accordance with AS3798. The fill has been placed, compacted and tested in accordance with AS3798 and the fill meets the requirements for controlled fill in accordance with AS2870 (2011) “Residential Slabs and Footings”.

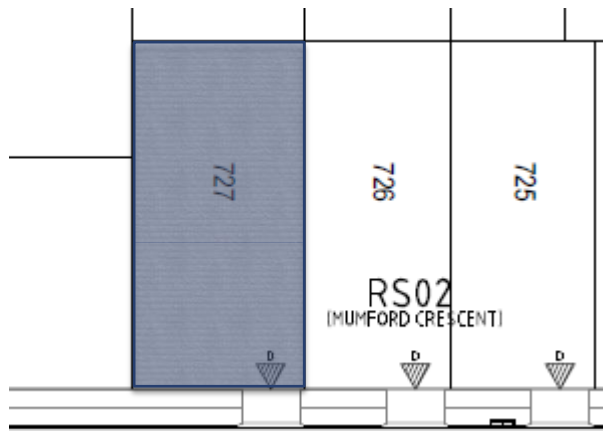



Shin To Amiri
Senior Geotechnical Engineer
MIE Aust (EA ID: 6820691)
Ph.D. (Geotechnical Engineering),
M.Eng. (Geotechnical Engineering)
B.Eng. (Civil Engineering)
shina@ausgeotest.com.au
Mob: 0448597976

Controlled Fill Certificate



**Certificate of Controlled Filling
Earthworks Operations (AS3798 – Level 1 Inspection & Testing)
AGTE240310, William Lakes Stage 7
Lot 727**



 Level 1 Site Area

The filling in the areas as defined above and in the Level 1 Report pertaining to the above mentioned project meets the requirements for “structural fill for residential applications” in accordance with AS3798. The fill has been placed, compacted and tested in accordance with AS3798 and the fill meets the requirements for controlled fill in accordance with AS2870 (2011) “Residential Slabs and Footings”.

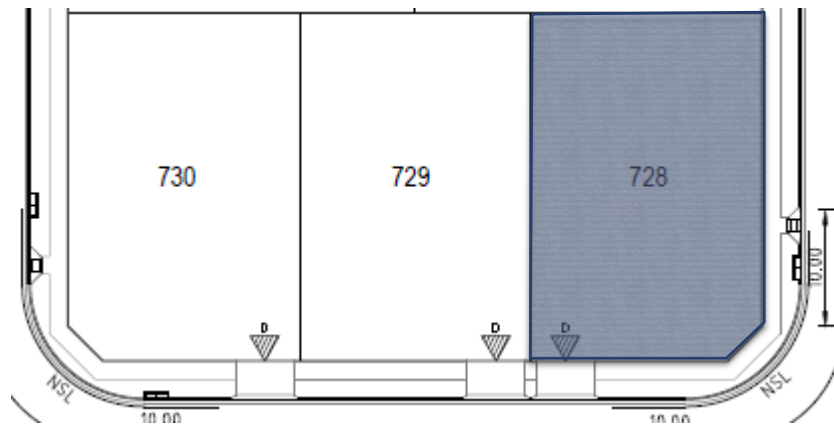



Shin To Amiri
Senior Geotechnical Engineer
MIE Aust (EA ID: 6820691)
Ph.D. (Geotechnical Engineering),
M.Eng. (Geotechnical Engineering)
B.Eng. (Civil Engineering)
shina@ausgeotest.com.au
Mob: 0448597976

Controlled Fill Certificate



**Certificate of Controlled Filling
Earthworks Operations (AS3798 – Level 1 Inspection & Testing)
AGTE240310, William Lakes Stage 7
Lot 728**



 Level 1 Site Area

The filling in the areas as defined above and in the Level 1 Report pertaining to the above mentioned project meets the requirements for “structural fill for residential applications” in accordance with AS3798. The fill has been placed, compacted and tested in accordance with AS3798 and the fill meets the requirements for controlled fill in accordance with AS2870 (2011) “Residential Slabs and Footings”.




Shin To Amiri
Senior Geotechnical Engineer
MIE Aust (EA ID: 6820691)
Ph.D. (Geotechnical Engineering),
M.Eng. (Geotechnical Engineering)
B.Eng. (Civil Engineering)
shina@ausgeotest.com.au
Mob: 0448597976

Controlled Fill Certificate



**Certificate of Controlled Filling
Earthworks Operations (AS3798 – Level 1 Inspection & Testing)
AGTE240310, William Lakes Stage 7
Lot 729**



 Level 1 Site Area

The filling in the areas as defined above and in the Level 1 Report pertaining to the above mentioned project meets the requirements for “structural fill for residential applications” in accordance with AS3798. The fill has been placed, compacted and tested in accordance with AS3798 and the fill meets the requirements for controlled fill in accordance with AS2870 (2011) “Residential Slabs and Footings”.

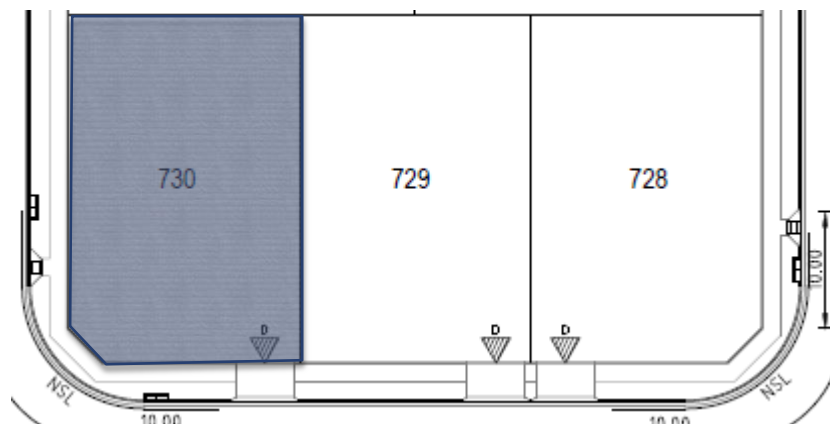



Shin To Amiri
Senior Geotechnical Engineer
MIE Aust (EA ID: 6820691)
Ph.D. (Geotechnical Engineering),
M.Eng. (Geotechnical Engineering)
B.Eng. (Civil Engineering)
shina@ausgeotest.com.au
Mob: 0448597976

Controlled Fill Certificate



**Certificate of Controlled Filling
Earthworks Operations (AS3798 – Level 1 Inspection & Testing)
AGTE240310, William Lakes Stage 7
Lot 730**



 Level 1 Site Area

The filling in the areas as defined above and in the Level 1 Report pertaining to the above mentioned project meets the requirements for “structural fill for residential applications” in accordance with AS3798. The fill has been placed, compacted and tested in accordance with AS3798 and the fill meets the requirements for controlled fill in accordance with AS2870 (2011) “Residential Slabs and Footings”.



Shin To Amiri
Senior Geotechnical Engineer
MIE Aust (EA ID: 6820691)
Ph.D. (Geotechnical Engineering),
M.Eng. (Geotechnical Engineering)
B.Eng. (Civil Engineering)
shina@ausgeotest.com.au
Mob: 0448597976

Document No: AGT.REP.307