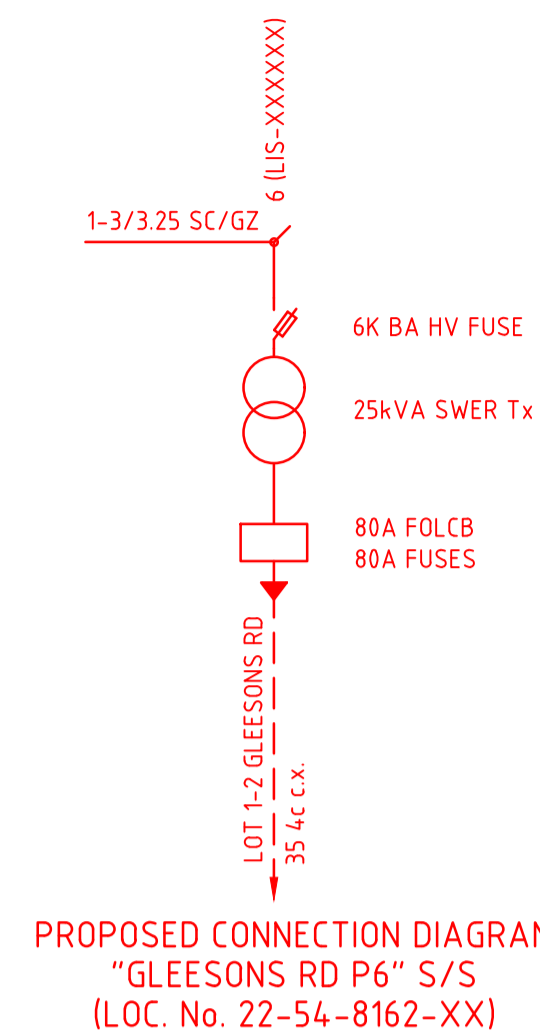
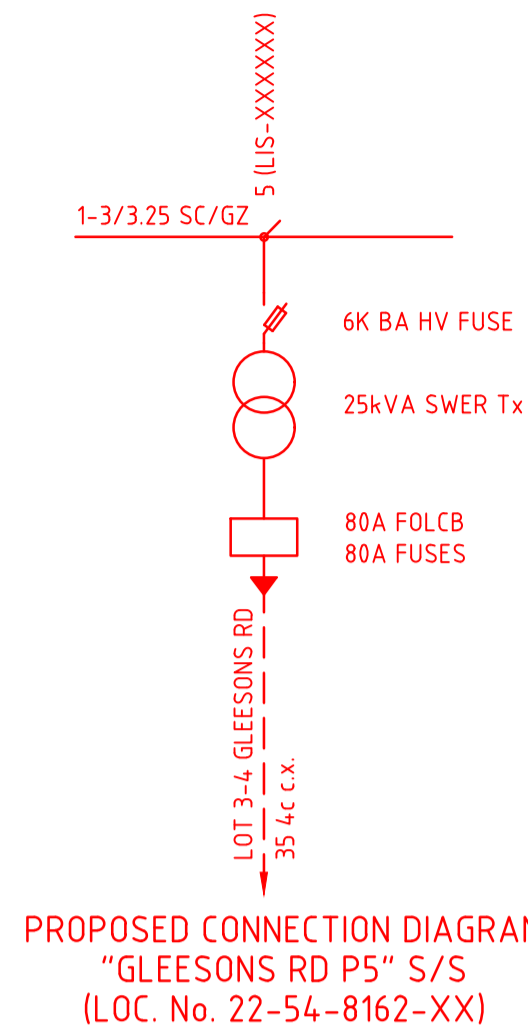
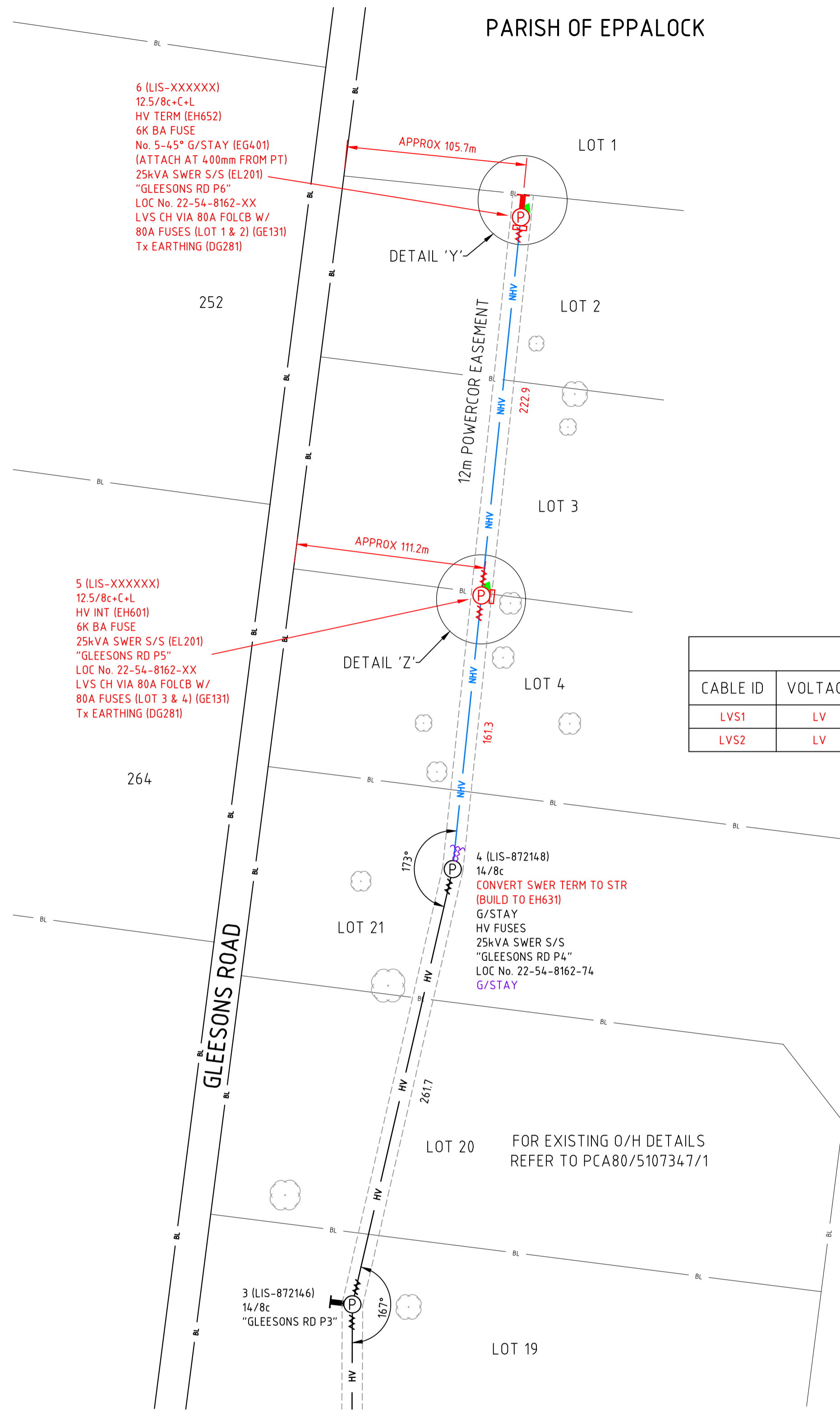
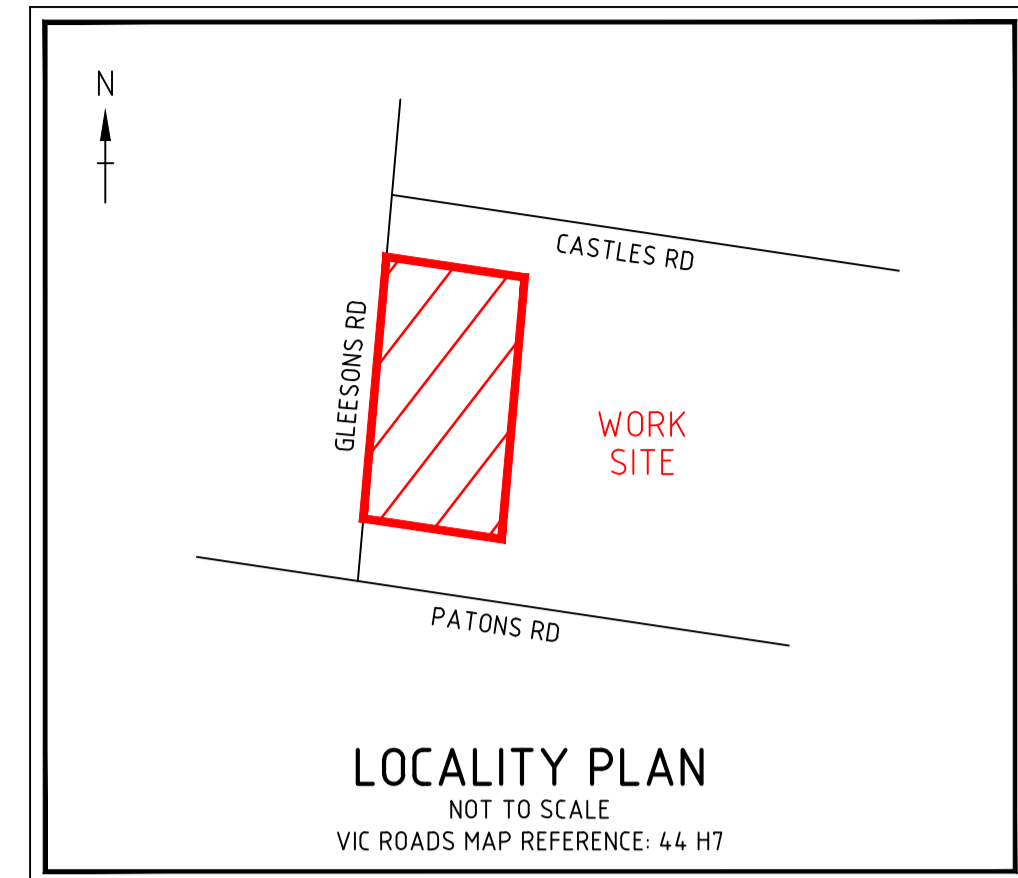


PARISH OF EPPALOCK



NOTE FOR CONSTRUCTION

1. AT SUBSTATIONS & HV CH POLES EARTH CABLES ARE BURIED WITHIN A RADIUS OF AT LEAST 6 METRES. (UNLESS OTHERWISE STATED ON THIS DRAWING)
2. ALL UNDERGROUND ASSETS TO BE LOCATED PRIOR TO CONSTRUCTION.

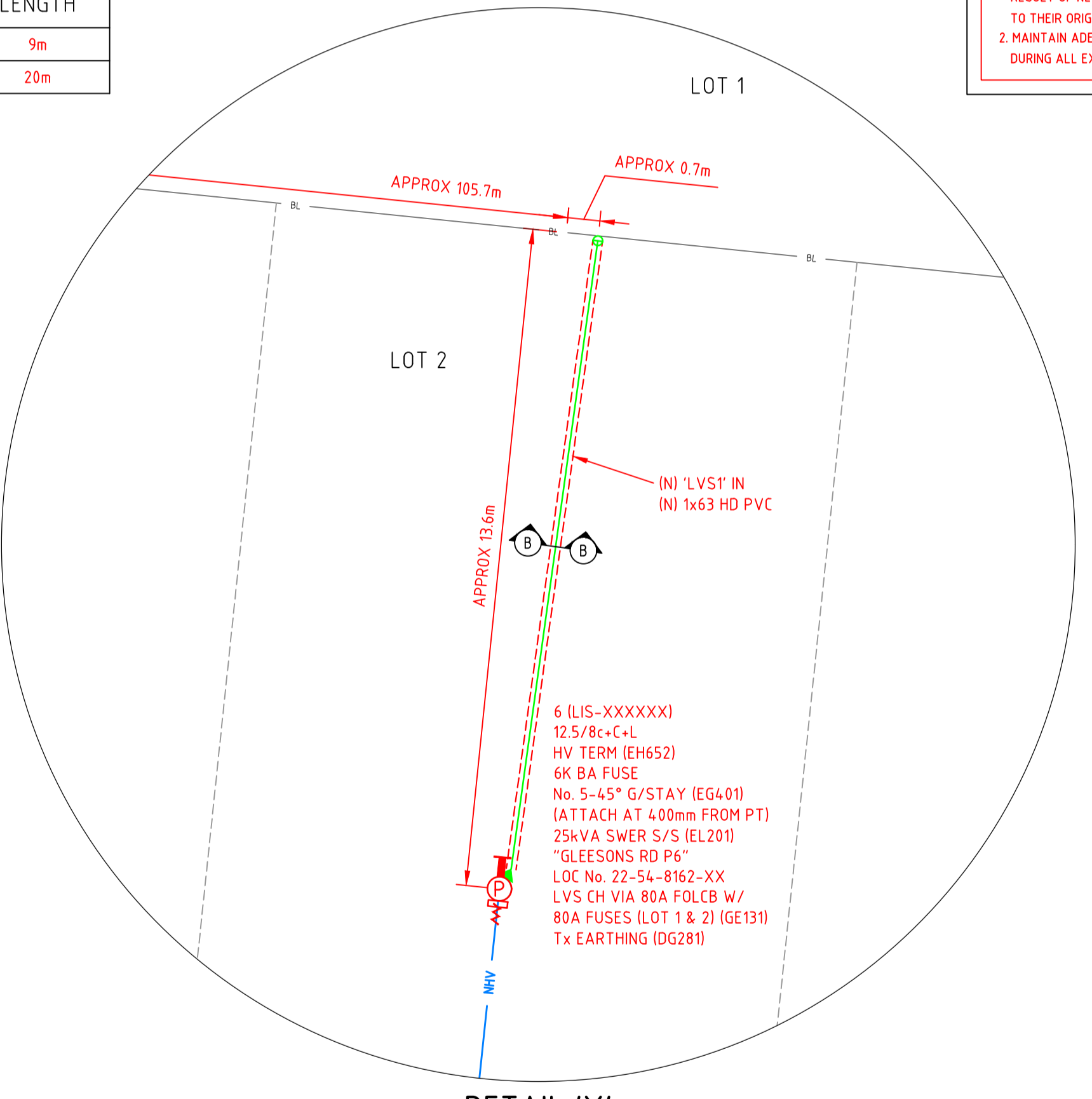
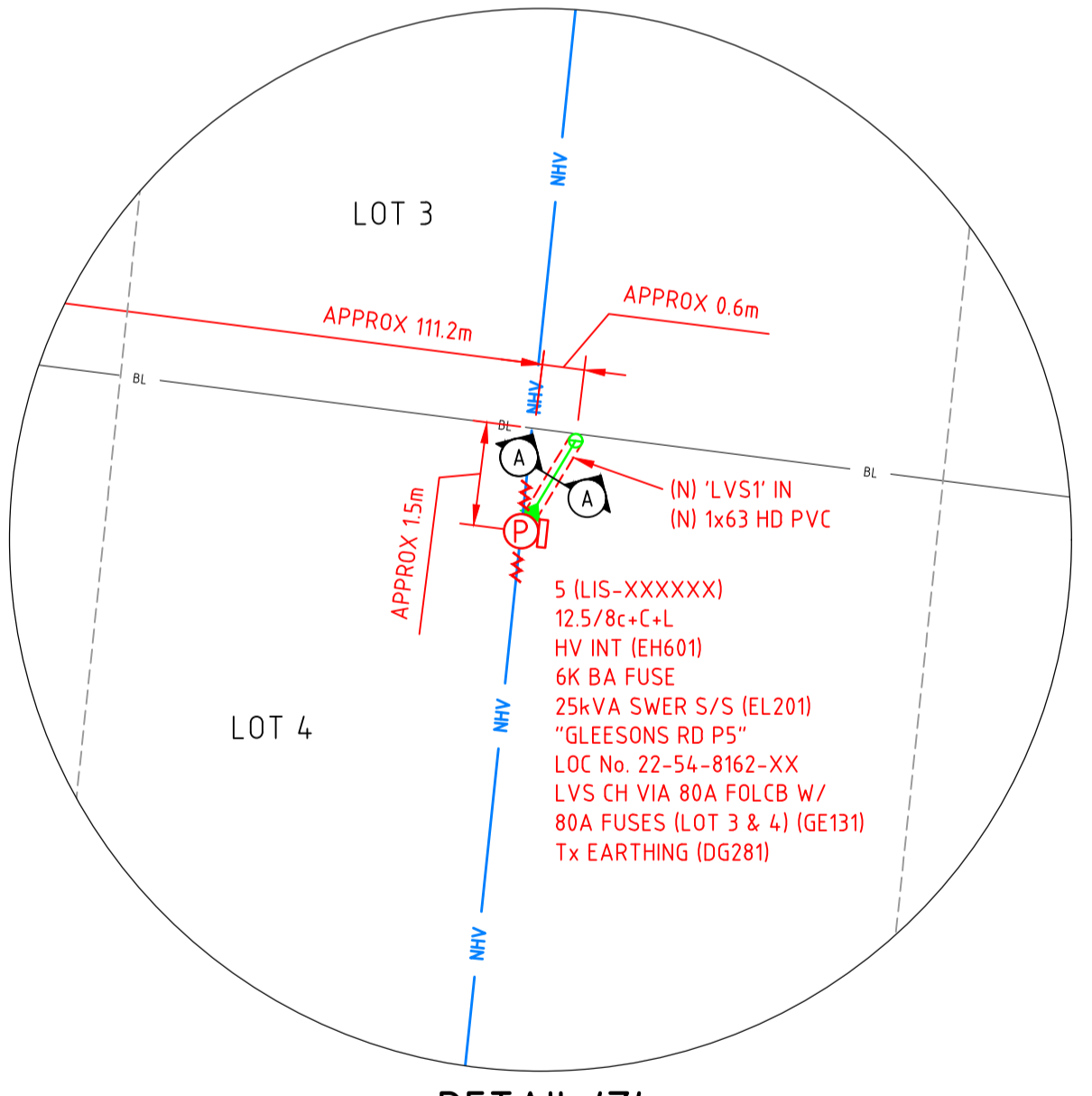


CABLE SCHEDULE

| CABLE ID | VOLTAGE | LOCATION | DETAILS | LENGTH |
|----------|---------|---|---------------|--------|
| LVS1 | LV | FROM (N) LVS CHP AT POLE 5 (LIS-XXXXXX) TO LOT 3-4 GLEESONS RD BOUNDARY | 35 4c LV c.x. | 9m |
| LVS2 | LV | FROM (N) LVS CHP AT POLE 6 (LIS-XXXXXX) TO LOT 1-2 GLEESONS RD BOUNDARY | 35 4c LV c.x. | 20m |

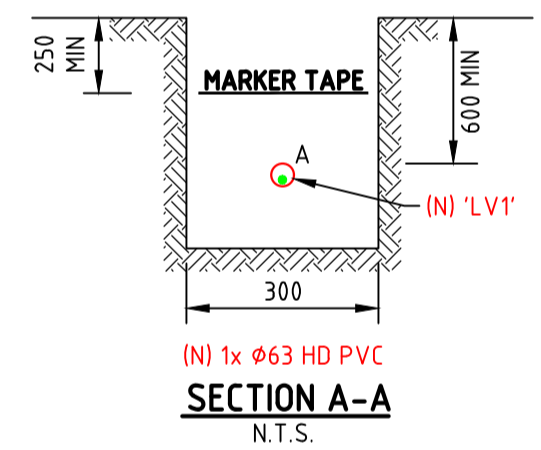
U/G CONSTRUCTION NOTES

1. ALL EXISTING INFRASTRUCTURE DAMAGED/CHANGED AS A RESULT OF NEW CONSTRUCTION WORK, ARE TO BE RE-INSTALLED TO THEIR ORIGINAL/PRE-CONSTRUCTION STATE.
2. MAINTAIN ADEQUATE CLEARANCE TO EXISTING CABLES/CONDUITS DURING ALL EXCAVATION WORKS.



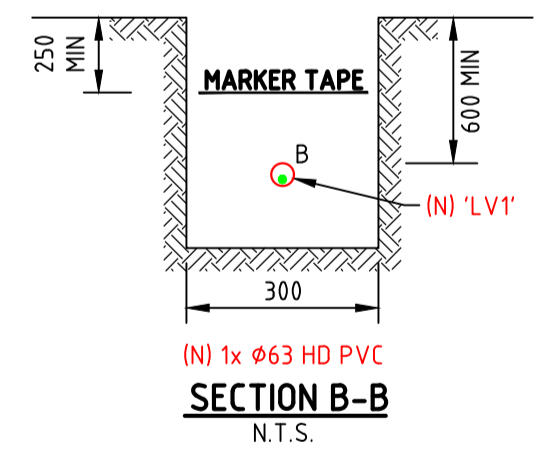
CONDUCTOR SCHEDULE

| 12.7kV SERIES | CONDUCTOR | STRINGING | MES(m) | ROUTE LENGTH (m) | ARMOUR RODS |
|---|--------------------|-----------|----------|------------------|-------------|
| (E) 3 (LIS-872146) - (E) 4 (LIS-872148) | (E) 1-3/2.75 SC/GZ | EXISTING | EXISTING | 261.7 | - |
| (E) 4 (LIS-872148) - (N) 6 (LIS-XXXXXX) | (N) 1-3/2.75 SC/GZ | (N) EC285 | 199.4 | 384.2 | YES |



CONDUIT/CABLE SCHEDULE

| ID | HD PVC | CABLE |
|----|--------|-------------------|
| A | Ø63 | (N) 35 4c LV c.x. |



CONDUIT/CABLE SCHEDULE

| ID | HD PVC | CABLE |
|----|--------|-------------------|
| B | Ø63 | (N) 35 4c LV c.x. |

Electricity Networks - EN CONSTRUCTION PLAN A1 - V4.0

| OVERHEAD LINE | EXISTING (E) | NEW (N) | REMOVE (R) | GENERAL |
|----------------------------------|--------------|---------|------------|------------------|
| CONDUCTOR (GENERAL) | ST | NST | RST | BL BOUNDARY LINE |
| SUB-TRANSMISSION (66, 22kV) | HV | NHV | RHV | BOK BACK OF KERB |
| HV OPEN WIRE (22, 11 & 6.6 kV) | HVABC | NHVABC | RHVABC | FOK FACE OF KERB |
| HV AERIAL BUNDLED CABLE | HVABC | NHVABC | RHVABC | LOK LIP OF KERB |
| HV & LV OPEN WIRE | HV/LV | NHV/LV | RHV/LV | OTHER SERVICES |
| HV & LV MAINS | LVM | NLVM | RLVM | DRAIN |
| LV AERIAL BUNDLED CABLE | LVABC | NLVABC | RLVABC | FENCE |
| PUBLIC LIGHTING CABLE | PL | NPL | RPL | GAS MAIN |
| OPTIC FIBRE CABLE | OPC | NOPC | ROPC | SEWER |
| SUPERVISORY CABLE | SUPV | NSUPV | RSUPV | TELCO CABLE |
| SERVICE CABLE (LV) | LVS | NLVS | RLVS | WATER MAIN |
| SERVICE CABLE (Neutral Screened) | NS | N/A | RNS | |

CAUTIONS

FOR DETAILS OF CONDITIONS REFER TO DIAL BEFORE YOU DIG INFORMATION

| PROJECT NUMBER | 5135956 |
|-------------------------|----------------------|
| ROAD DIRECTORY | VICROADS 44 H7 |
| MAP PROJECTION | MGA ZONE 55 |
| FEEDER / SWITCHING ZONE | BET007 / SW2-5406274 |
| O/H REFERENCE DRAWING | PCA80/5107347/1 |
| U/G REFERENCE DRAWING | N/A |
| SUB REFERENCE DRAWING | N/A |
| PROJECT MANAGER | JOSH KUHLE |

SCALE: 1:2000

LENGTHS ARE IN METRES

CITIPower
AUSTRALIA

Electricity Networks
Locked Bag 14090
Melbourne 8001
www.citipower.com.au
www.powercor.com.au

| REVISION | DRAWING NUMBER | PROJECT NUMBER | SHEET | SHEET OF |
|----------|----------------|----------------|-------|----------|
| | PCA80 | 5135956 | 1 | 1 OF 1 |

**O/H CONSTRUCTION PLAN
SUPPLY TO CUSTOMER
LOTS 1-4 GLEESONS ROAD
AXE CREEK**

| DRAWN | DESIGNER | CHECKER | APPROVER |
|----------------------------|----------------------------|----------------------------|-----------------|
| PERACON (MV) 07/03/2023 | PERACON (MV) 07/03/2023 | PERACON (YM) 31/03/2023 | J. MAHER TBA |