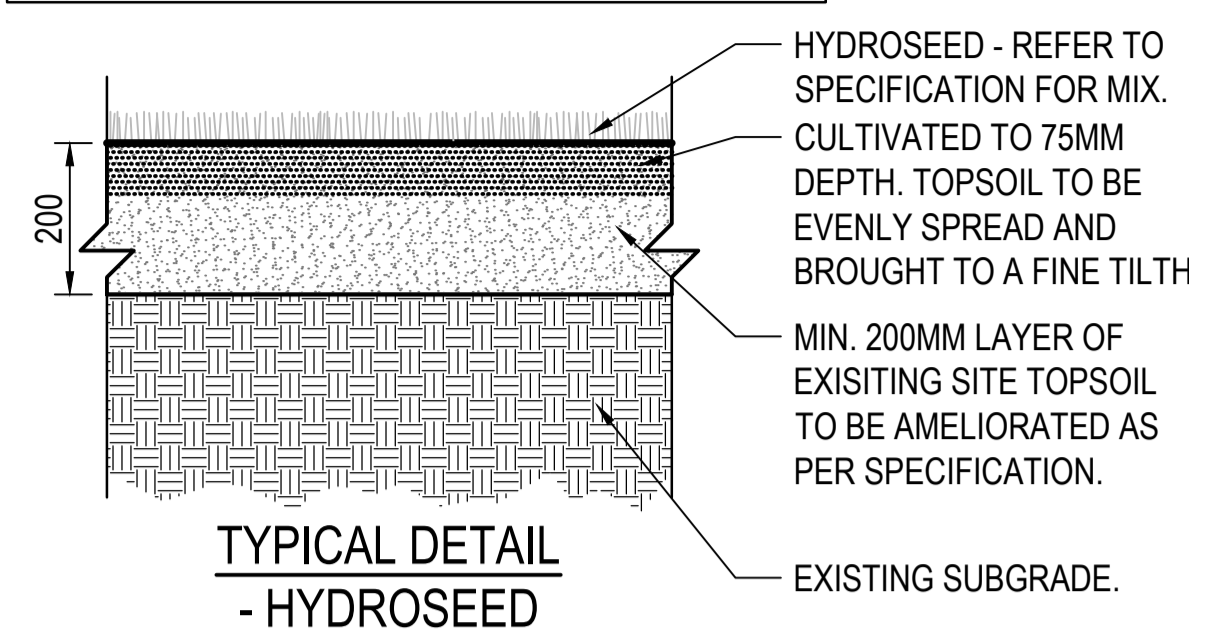
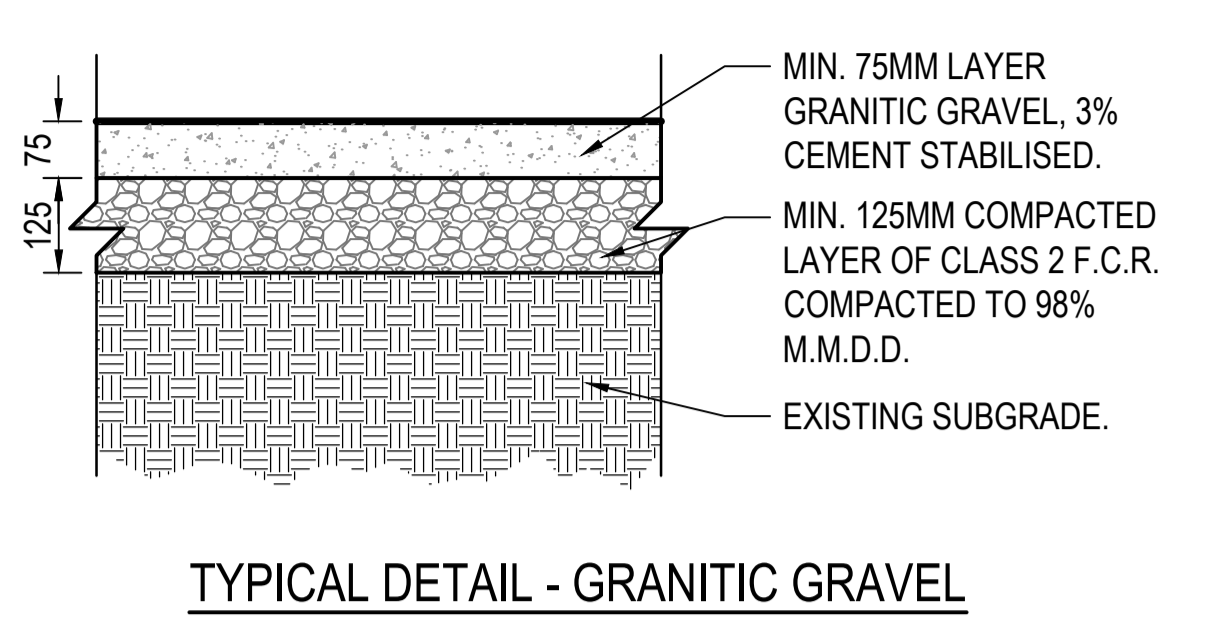


NOTE: NEW GRASSED AREAS TO BE PROTECTED FROM TRESPASS AND TRAFFIC WITH STAR PICKETS AND BARRIER ROPE UNTIL GRASS IS ESTABLISHED.



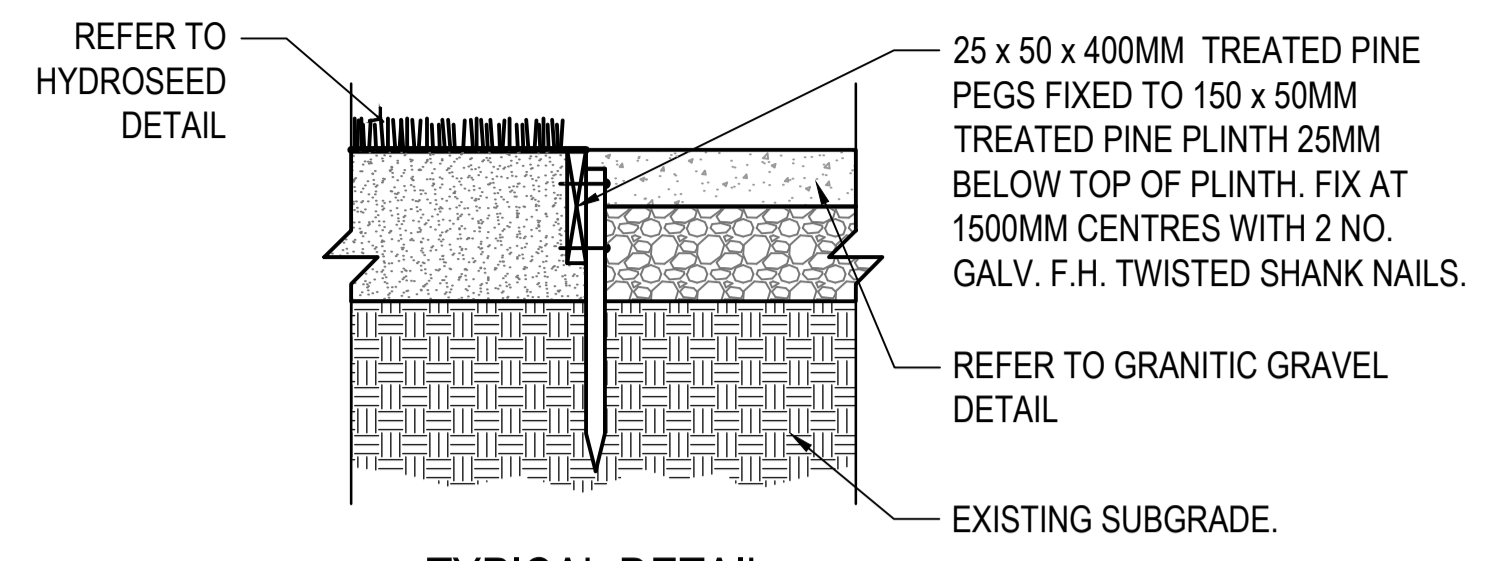
TYPICAL DETAIL - HYDROSEED

3 DETAIL SCALE 1:10



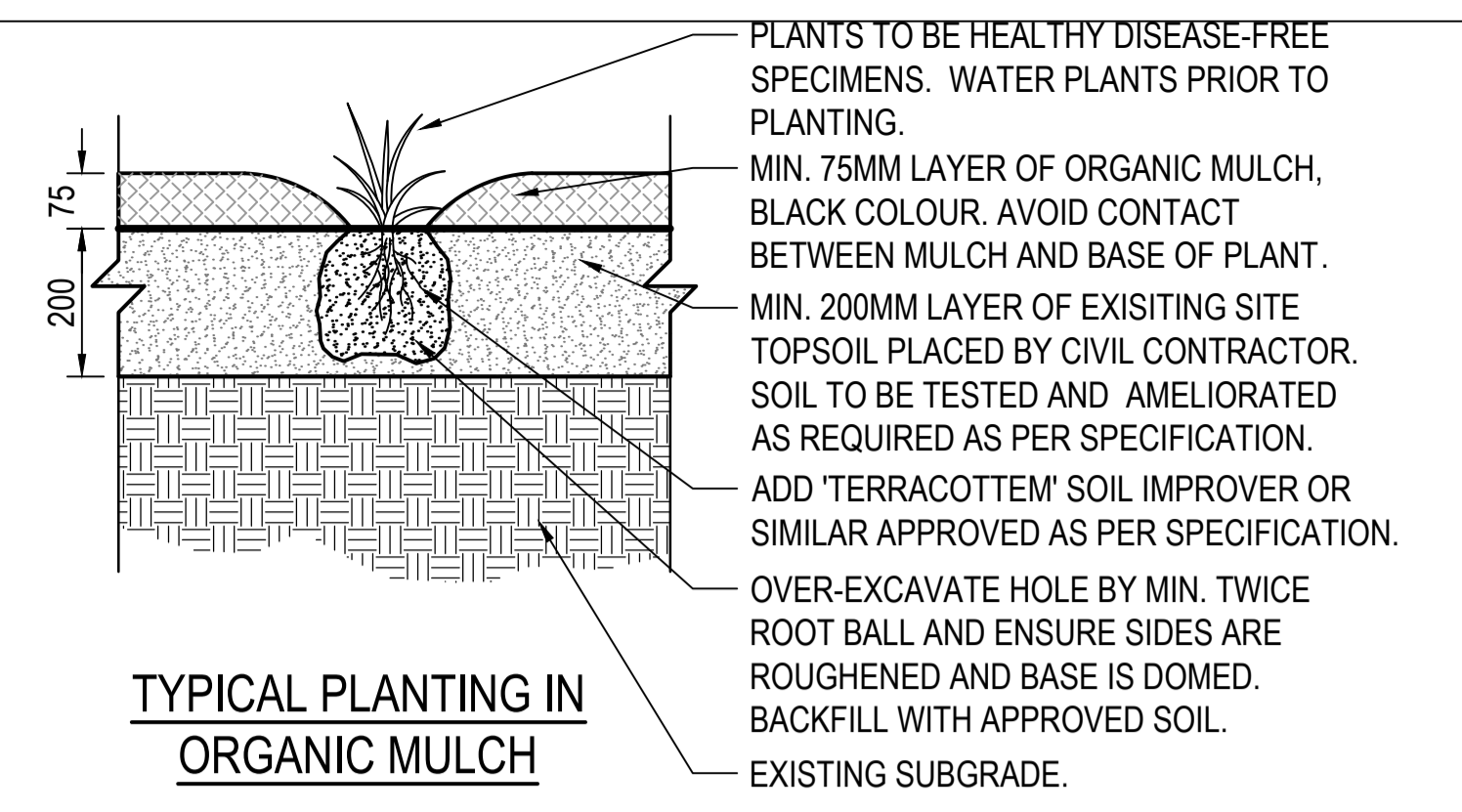
TYPICAL DETAIL - GRANITIC GRAVEL

4 DETAIL SCALE 1:10



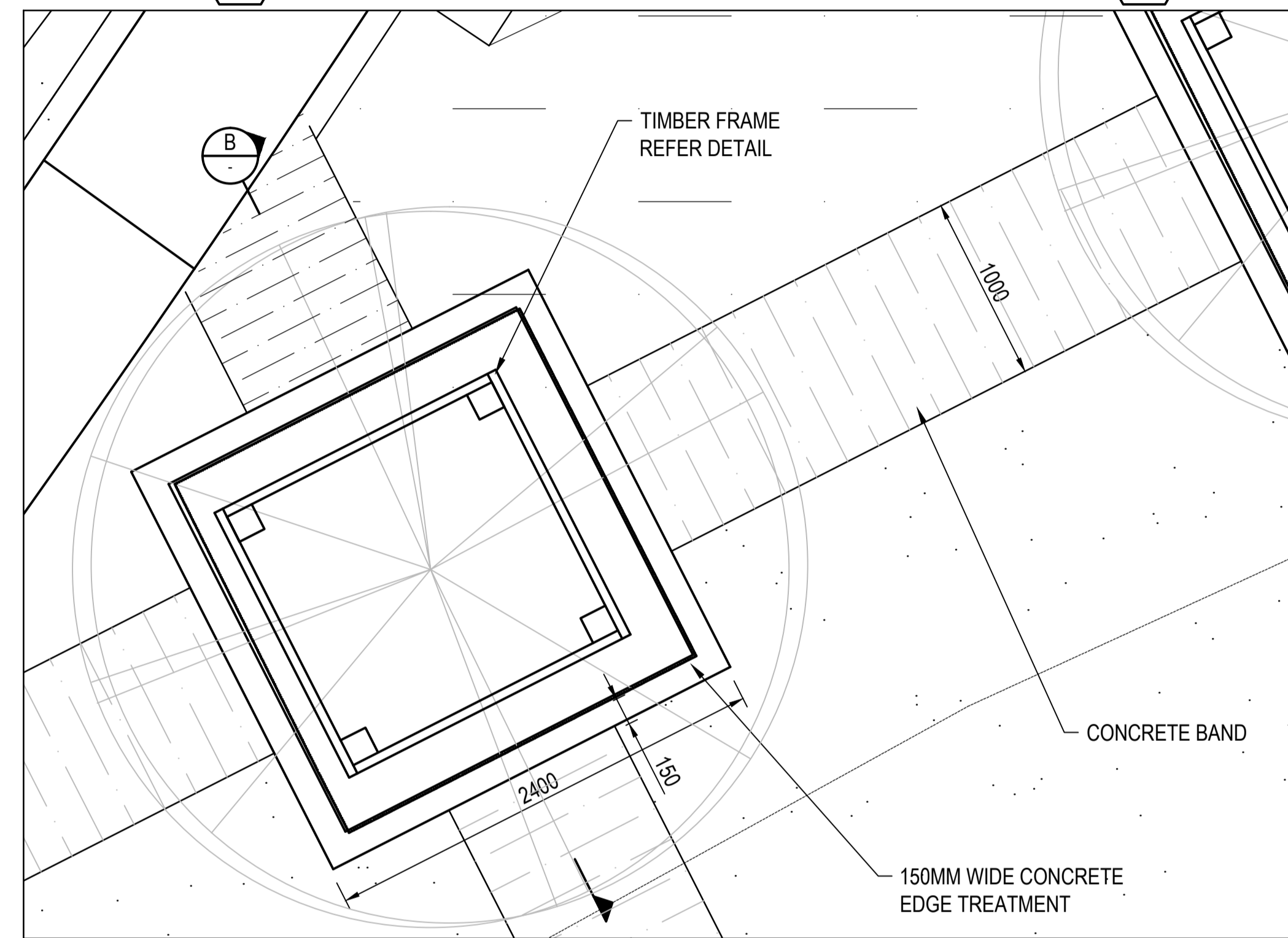
TYPICAL DETAIL - TIMBER EDGE

5 DETAIL SCALE 1:10



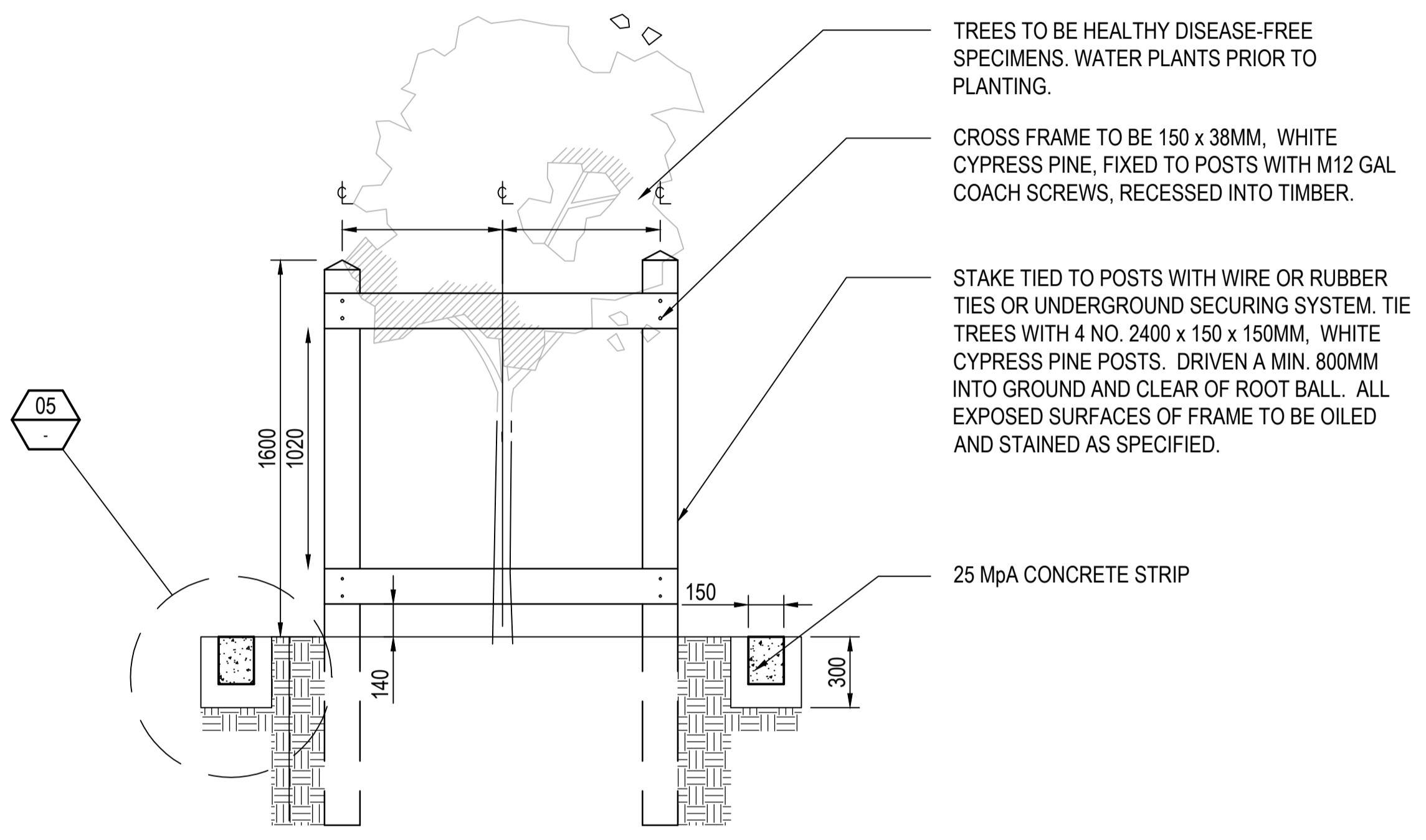
TYPICAL PLANTING IN ORGANIC MULCH

6 DETAIL SCALE 1:10

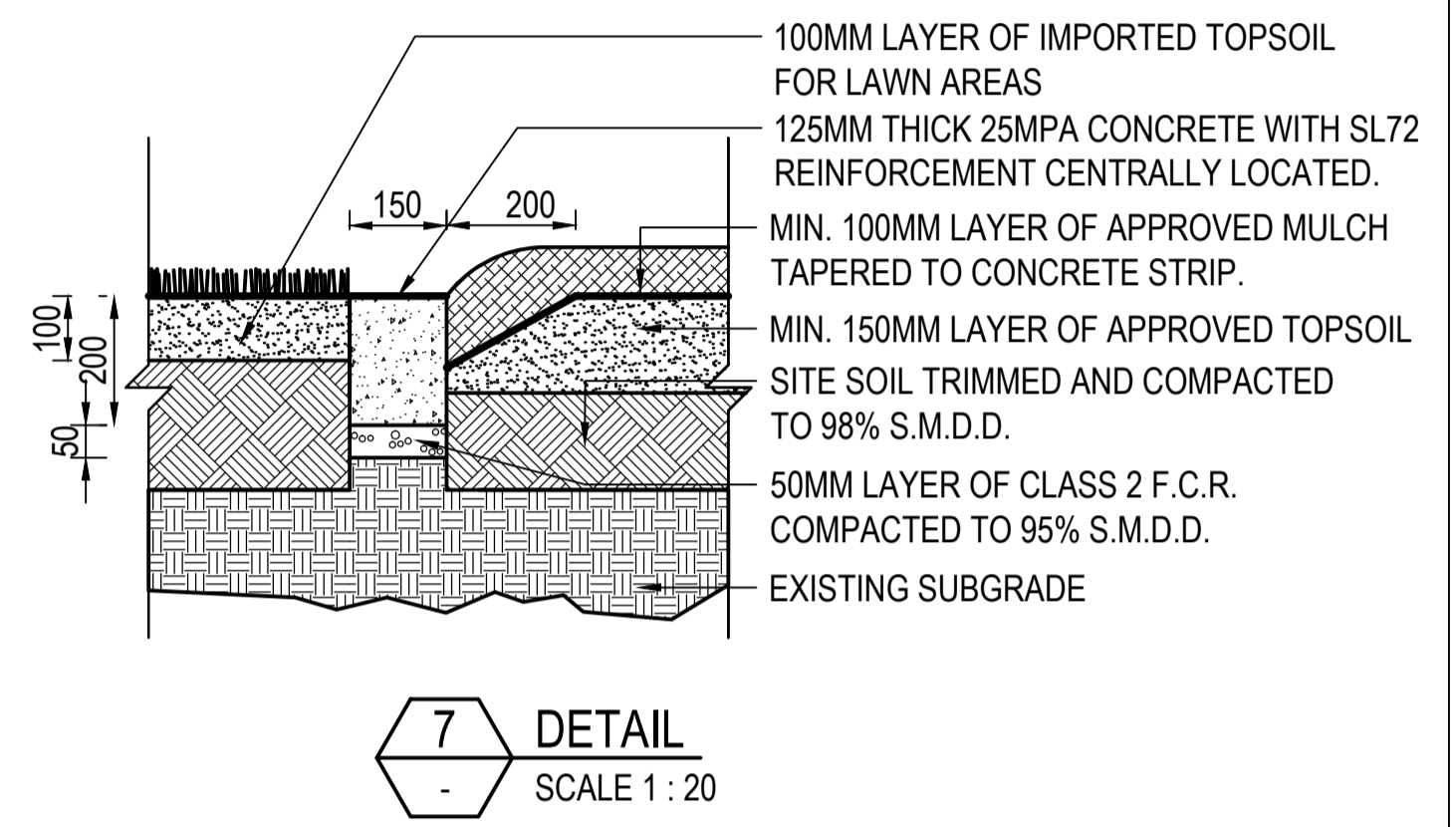


TYPICAL ADVANCED TREE GRID PLAN

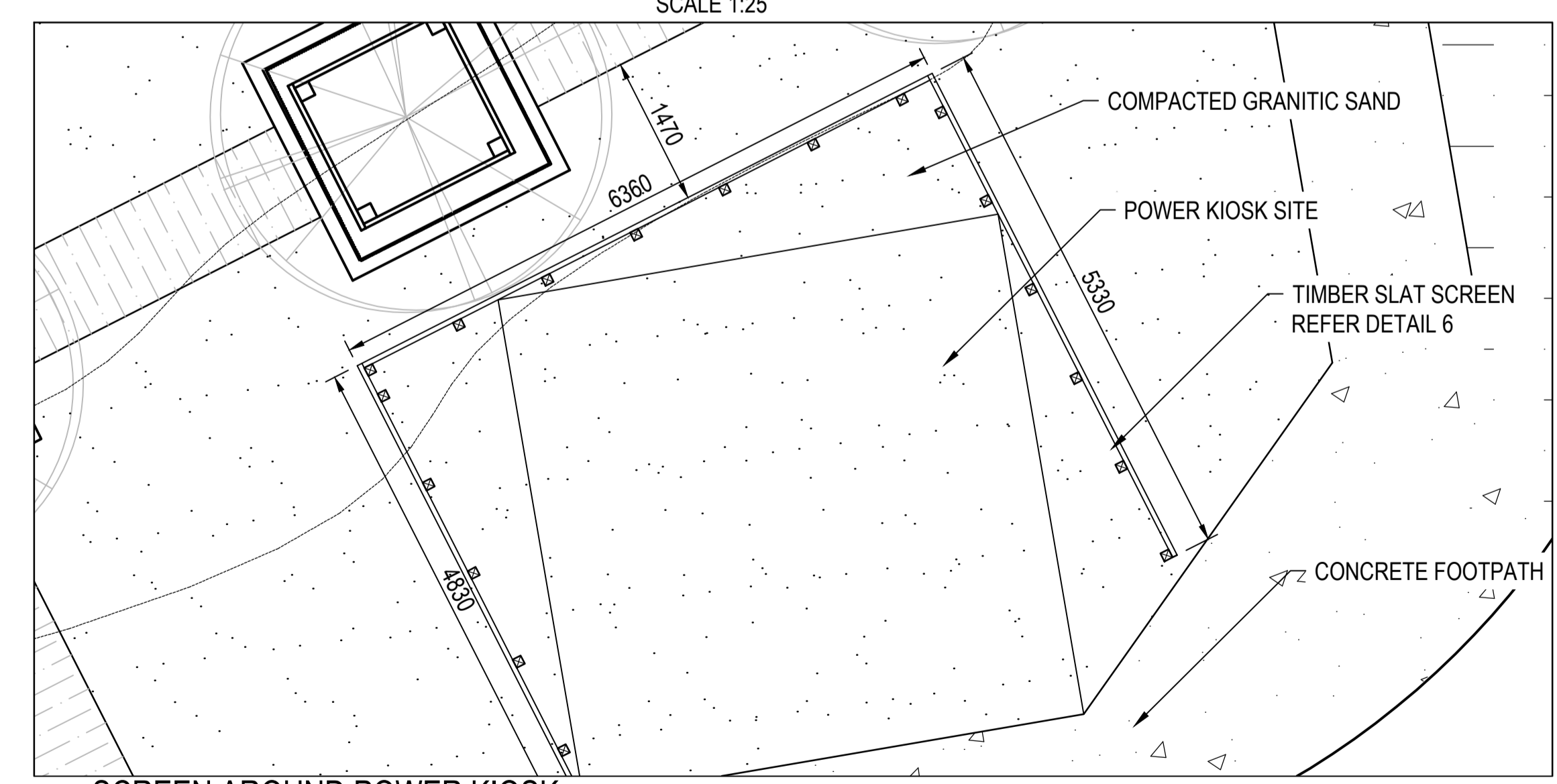
SCALE 1:25



B SECTION SCALE 1:20

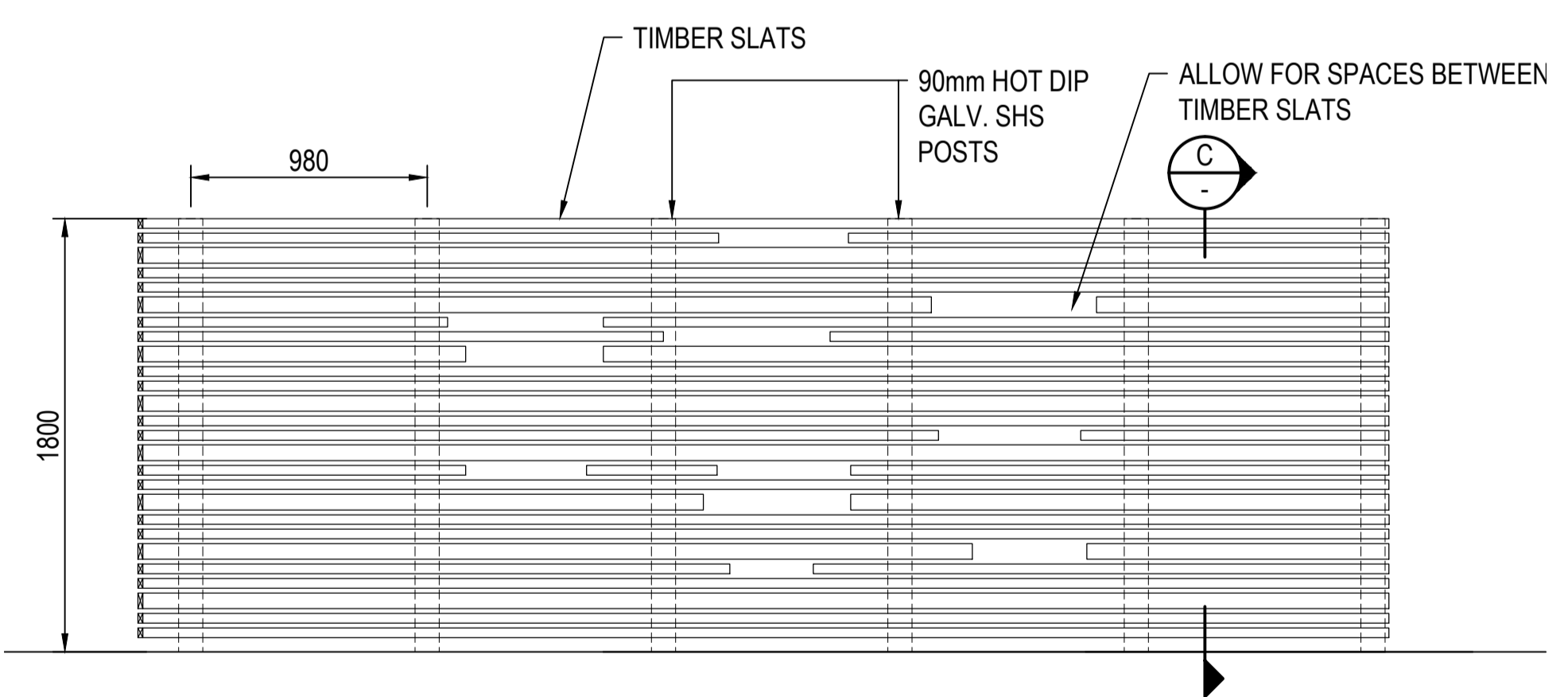


7 DETAIL SCALE 1:20



SCREEN AROUND POWER KIOSK

SCALE 1:50



TIMBER SCREEN FOR ELECTRICAL KIOSK

6 DETAIL SCALE 1:25



WARNING  
ALL SERVICES SHOWN ON THIS DRAWING ARE APPROXIMATE ONLY AND EXACT LOCATION IS TO BE CONFIRMED ON SITE BY CONTRACTOR PRIOR TO COMMENCEMENT OF ANY WORKS.

CONSTRUCTION

No	Revision	Note	Drawn	Job Manager	Project Director	Date
0	ISSUED FOR CONSTRUCTION		GO*	GC*	SG*	??.02.12



DO NOT SCALE		Drawn	Designer
Conditions of Use. This document may only be used by GHD's client (and any other person who GHD has agreed can use this document) for the purpose for which it was prepared and must not be used by any other person or for any other purpose.		Drafting Check	Design Check
		Approved (Project Director)	Date
		Scale	This Drawing must not be used for Construction unless signed as Approved

Client	VILLAWOOD PROPERTIES
Project	ASPIRE DEVELOPMENT
Title	STAGE 1 LANDSCAPE DETAILS
Original Size	A1 Drawing No: 31-26332-L111
Rev:	0