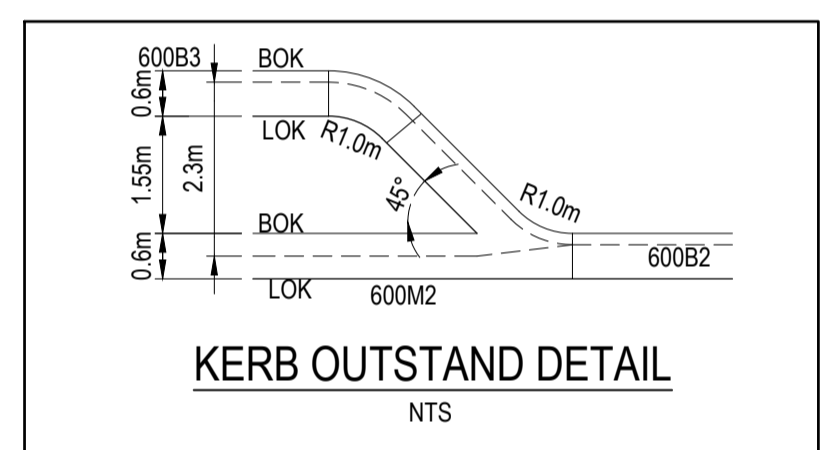


- LEGEND - LAYOUT PLAN**
- STORMWATER DRAIN, PIT & PROPERTY INLET PIT
  - EXISTING STORMWATER DRAIN
  - HOUSE DRAIN
  - EXISTING HOUSE DRAIN
  - SEWER & MAINTENANCE STRUCTURES
  - EXISTING SEWER
  - SERVICE CONDUITS
  - PROPOSED ELECTRICITY (UNDERGROUND)
  - PROPOSED GAS
  - PROPOSED OPTIC FIBRE
  - PROPOSED TELSTRA
  - PROPOSED WATER
  - PROPOSED RECYCLED WATER
  - EXISTING ELECTRICITY (UNDERGROUND)
  - EXISTING TELSTRA
  - EXISTING WATER
  - EXISTING RECYCLED WATER
  - DIRECTION OF FALL
  - OVERLAND FLOW
  - ALLOTMENT TO BE GRADED EVENLY IN DIRECTION OF FALL TO LEVELS INDICATED
  - EXISTING TREE TO BE REMOVED
  - PROPOSED PAVEMENT, KERB & CHANNEL, FOOTPATH (WITH THICKENING) & HEAVY DUTY VEHICLE CROSSING
  - PROPOSED PAVEMENT, KERB & CHANNEL, FOOTPATH (WITH THICKENING) & HEAVY DUTY VEHICLE CROSSING
  - FUTURE KERB & CHANNEL
  - CONCRETE EDGE STRIP WITH SUBSOIL DRAIN, "NO ROAD" SIGN & BARRIER
  - LIMIT OF WORKS



**SERVICES OFFSET SCHEDULE**

ROAD NAME	GAS		RECYCLED WATER		POTABLE WATER		OPTIC FIBRE		ELECTRICITY		PUBLIC LIGHTING	
	SIDE	OFFSET	SIDE	OFFSET	SIDE	OFFSET	SIDE	OFFSET	SIDE	OFFSET	SIDE	OFFSET
IMPLEXA DRIVE	S	2.10	S	2.60	S	3.10	N	2.80	N	3.25	N	1.00*
BARCELONA WAY	S	2.10	S	2.60	S	3.10	N	1.80	N	2.45	N	1.00*
NALANDA ROAD	N	2.10	N	2.60	N	3.10	S	1.80	S	2.45	S	1.00*
MASTANI WAY	W	2.10	W	2.60	W	3.10	E	1.80	E	2.45	E	1.00*

1. \* DENOTES OFFSET FROM BACK OF KERB.

**NOTE: STREET TREE LOCATIONS SHOWN ARE INDICATIVE ONLY. ULTIMATE LOCATION IS TO BE PROVIDED/CONFIRMED BY LANDSCAPE ARCHITECTS**

**WARNING**  
**BWARE OF UNDERGROUND & OVERHEAD SERVICES**  
 The locations of underground & overhead services are approximate only & their exact position should be proven on site. No guarantee is given that all existing services are shown. Locate all underground services before commencement of works.  
**DIAL 1100 BEFORE YOU DIG**  
[www.1100.com.au](http://www.1100.com.au)

REVISION	DATE	ISSUE DESCRIPTION	DRAWN	CHECKED	APPROVED
A	23/10/23	ISSUED FOR APPROVAL	M.PLANT	C.ROHDE	M.TROUNCE

**villawood properties**  
 Communities Designed for Living

**creo CONSULTANTS**  
 Suite 1, 2 Bloomsbury Street  
 Newtown, VIC, Australia 3220

**ALAMORA**  
*parceit*

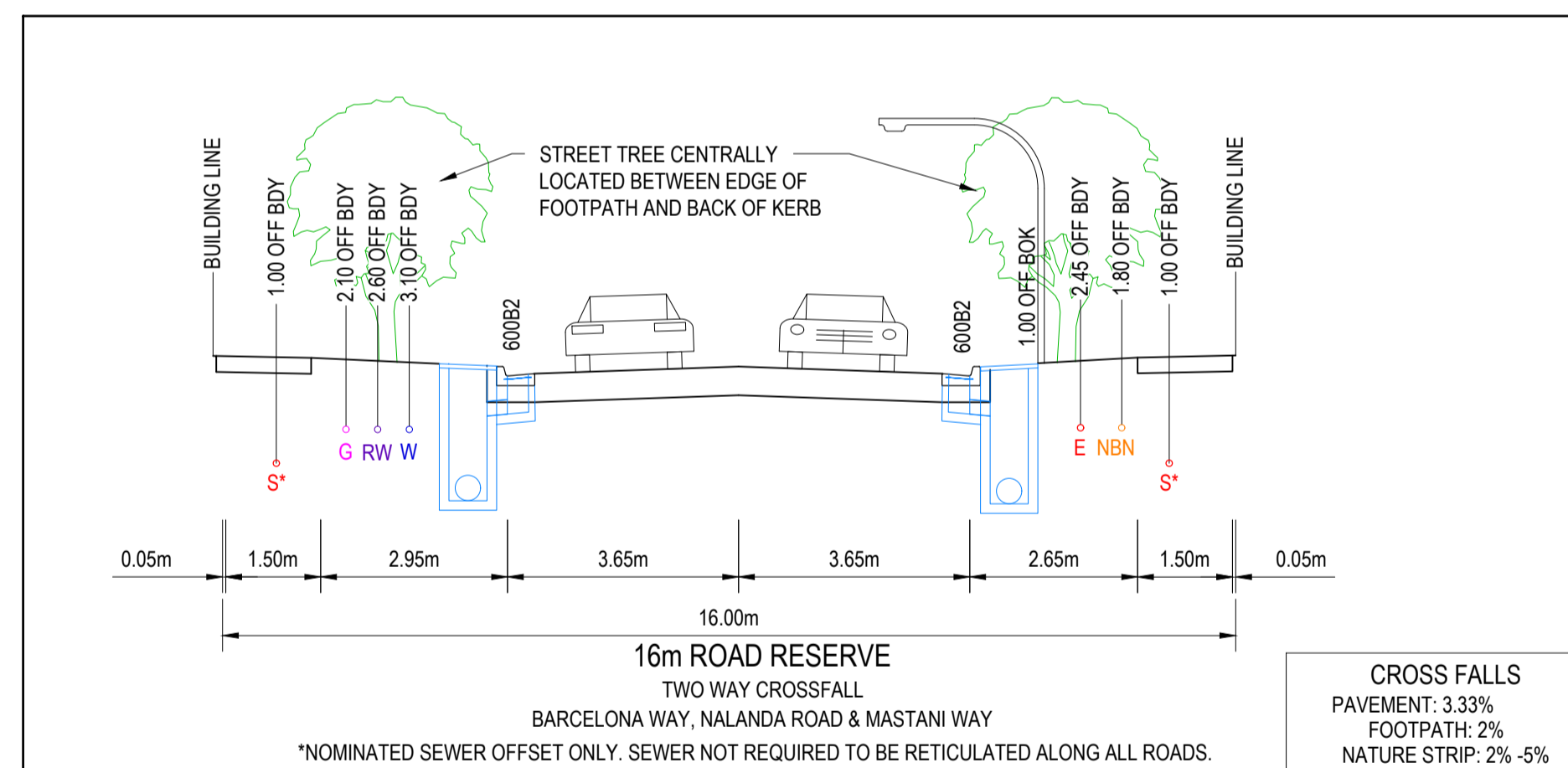
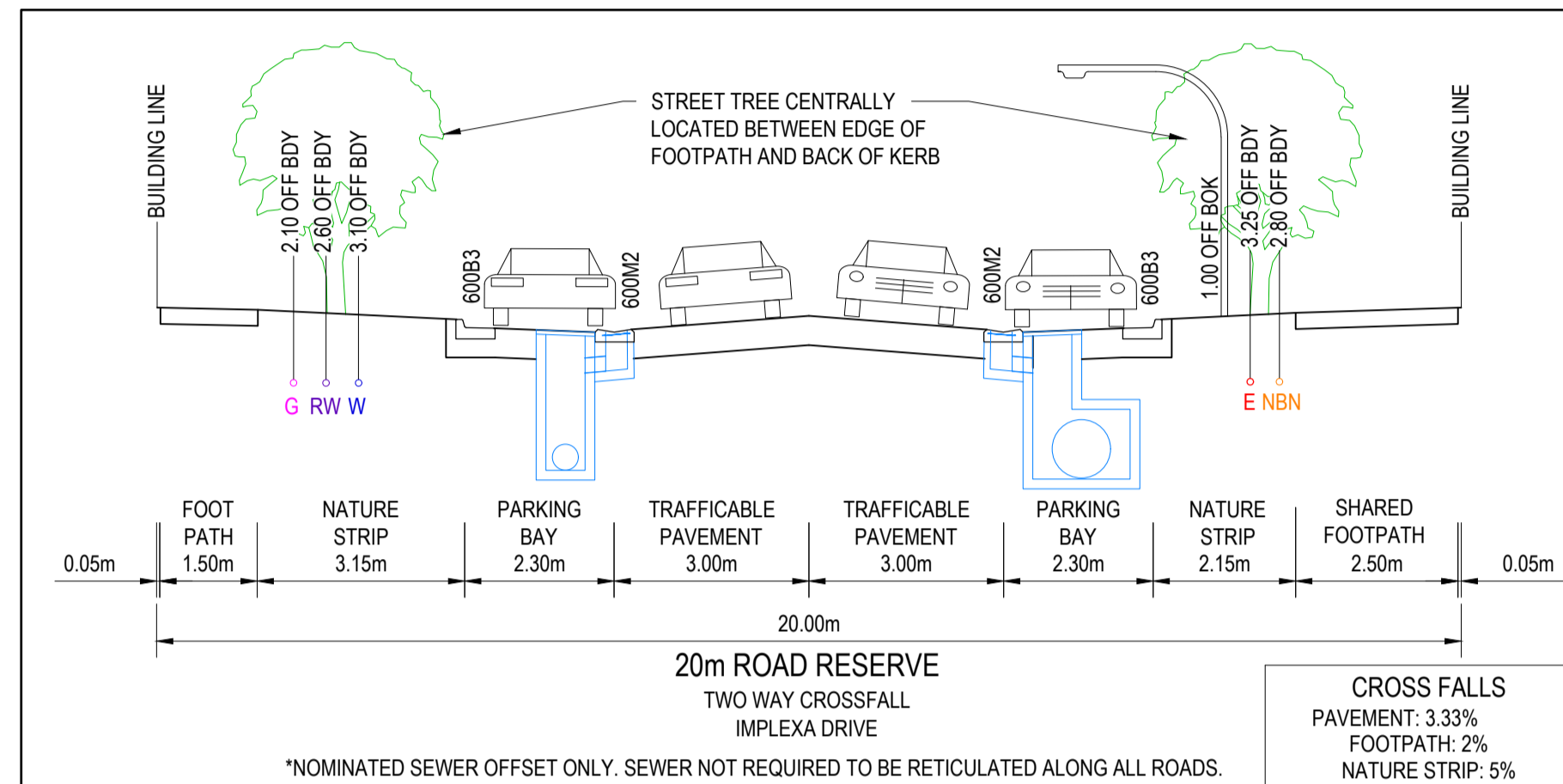
**ALAMORA - STAGE 19**  
**FUNCTIONAL LAYOUT PLAN**

**ISSUED FOR APPROVAL**  
**NOT FOR CONSTRUCTION**

SCALE @ A1: 1:500

DESIGNED	M.PLANT	PROJECT ENGINEER	C.ROHDE
DRAWN	M.PLANT	PROJECT MANAGER	M.TROUNCE
PROJECT No.	<b>200282.19</b>	DRAWING No.	<b>F100</b>
REVISION			<b>A</b>





REVISION	DATE	ISSUE DESCRIPTION	DRAWN	CHECKED	APPROVED
A	23/10/23	ISSUED FOR APPROVAL	M.PLANT	C.ROHDE	M.TROUNCE

CLIENT

Communities Designed for Living

PROJECT

Suite 1, 2 Bloomsbury Street  
Newtown, VIC, Australia 3220

DRAWING TITLE

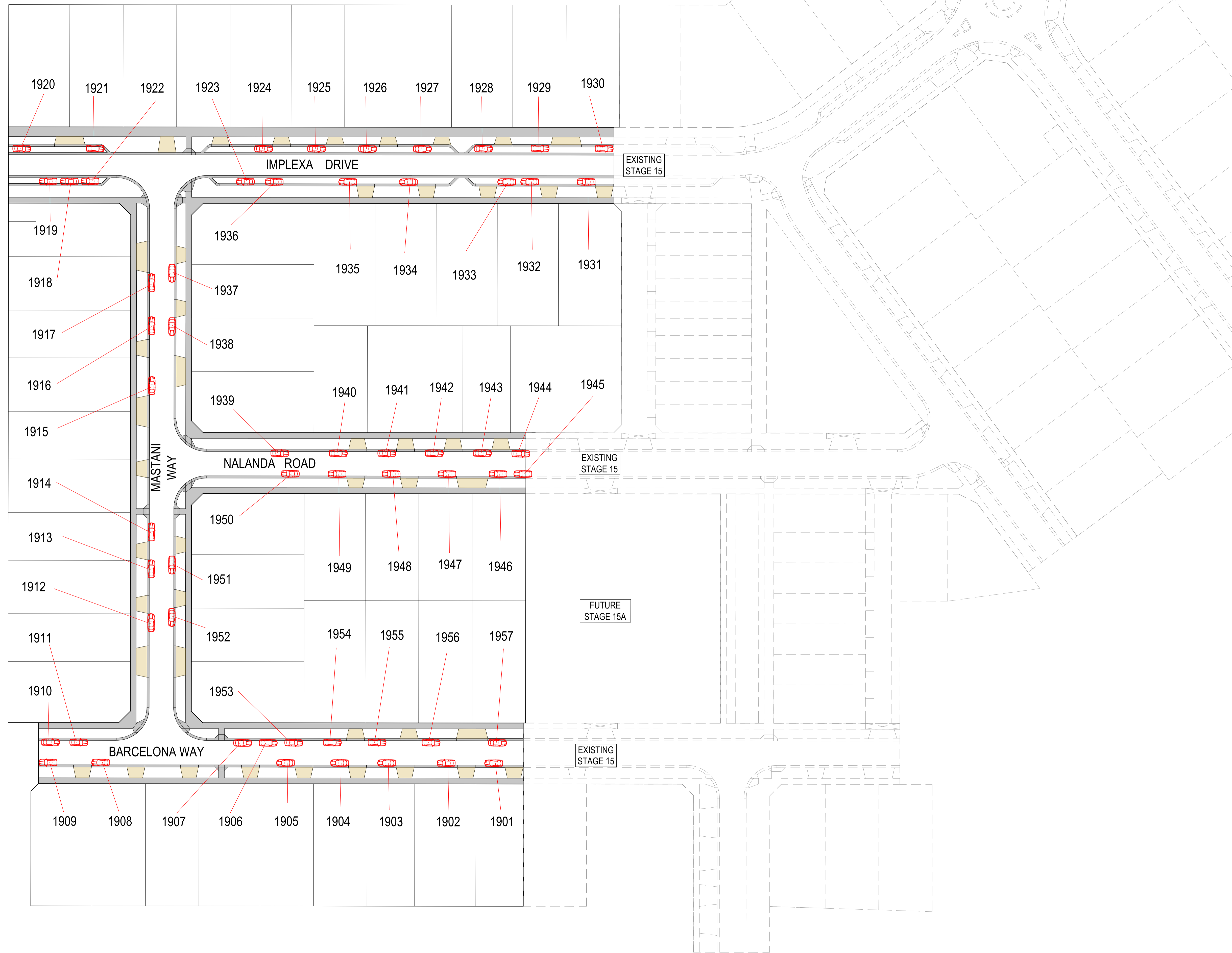
**ALAMORA - STAGE 19**  
TYPICAL CROSS SECTIONS

STATUS

**ISSUED FOR APPROVAL**  
NOT FOR CONSTRUCTION

SCALE @ A1:  
NOT TO SCALE

DESIGNED	PROJECT ENGINEER	
M.PLANT	C.ROHDE	
DRAWN	PROJECT MANAGER	
M.PLANT	M.TROUNCE	
PROJECT No.	DRAWING No.	REVISION
200282.19	F200	A



REVISION	DATE	ISSUE DESCRIPTION	DRAWN	CHECKED	APPROVED
A	23/10/23	ISSUED FOR APPROVAL	M.PLANT	C.ROHDE	M.TROUNCE

CLIENT



Communities Designed for Living

PROJECT



Suite 1, 2 Bloomsbury Street  
Newtown, VIC, Australia 3220


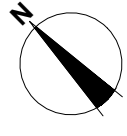
DRAWING TITLE

**ALAMORA**  
*Tarnait*

STATUS

**ISSUED FOR APPROVAL  
NOT FOR CONSTRUCTION**

SCALE @ A1 : 1:500

DESIGNED

M.PLANT

DRAWN

M.PLANT

PROJECT No.

**200282.19**

PROJECT ENGINEER

C.ROHDE

PROJECT MANAGER

M.TROUNCE

DRAWING No.

**F300**

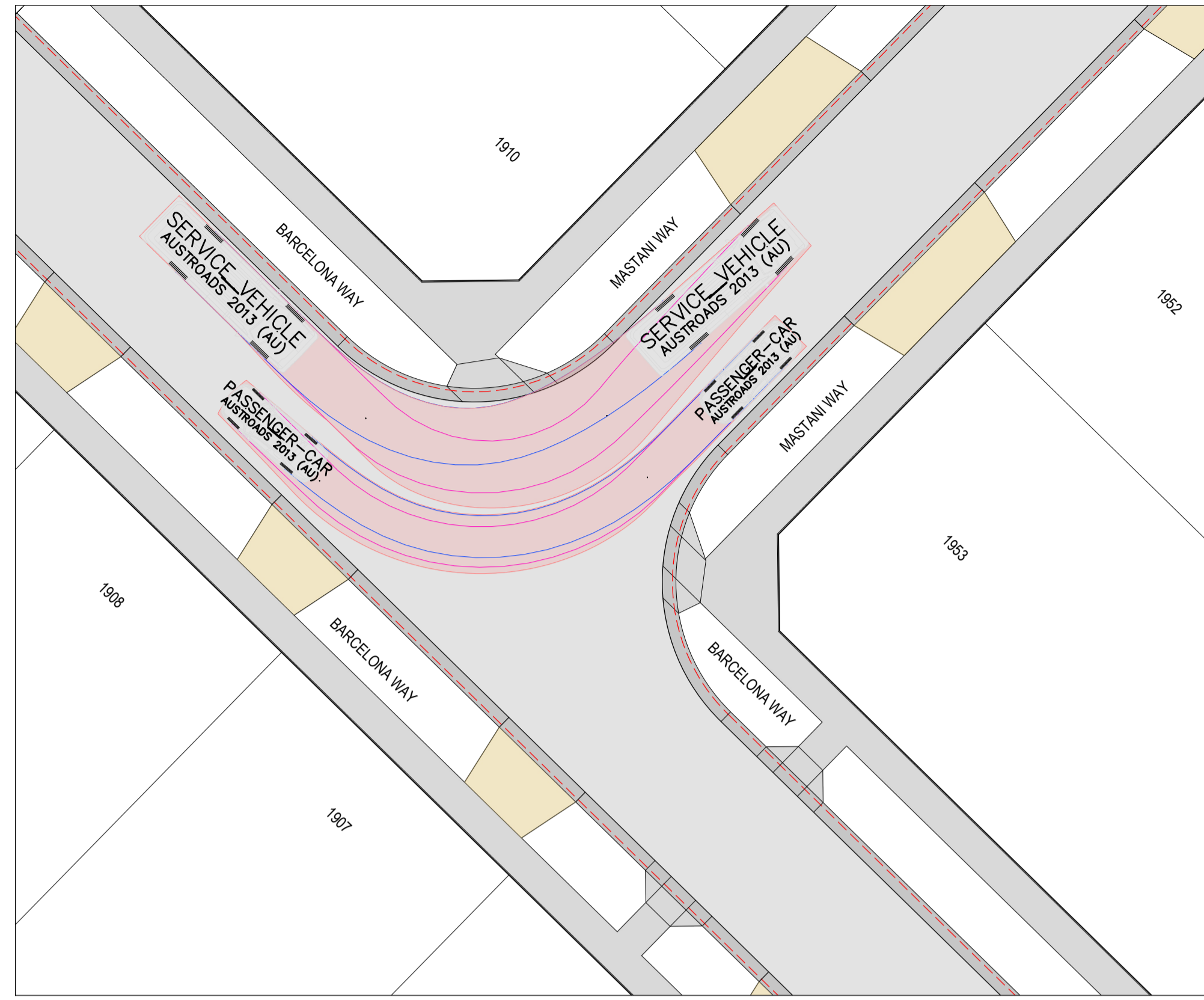
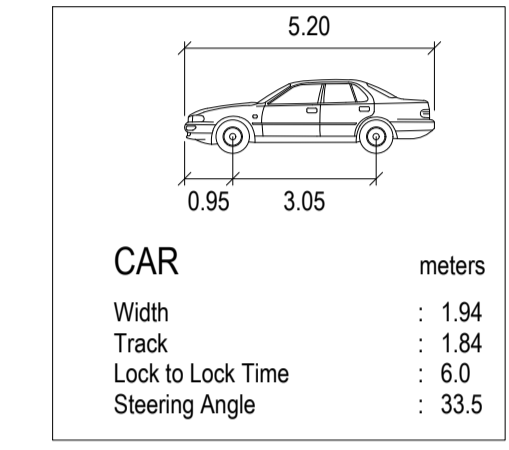
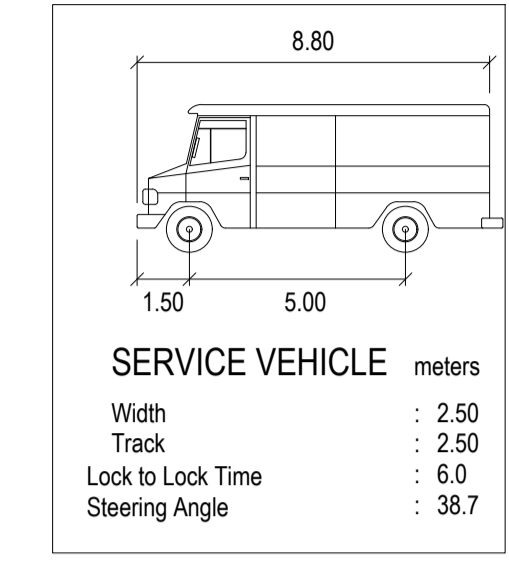
REVISION

**A**

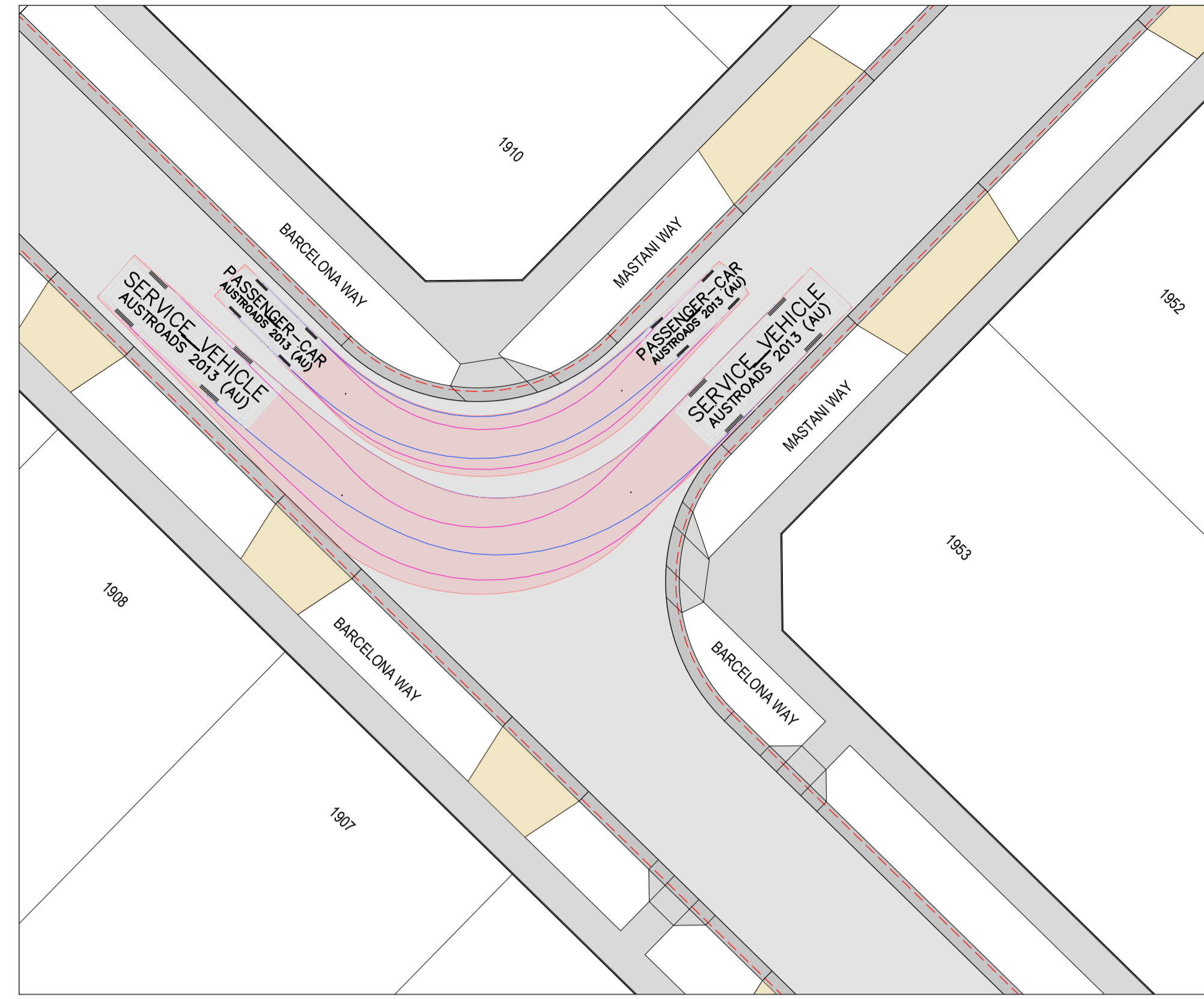


LEGEND - FUNCTIONAL TURNING TEMPLATES

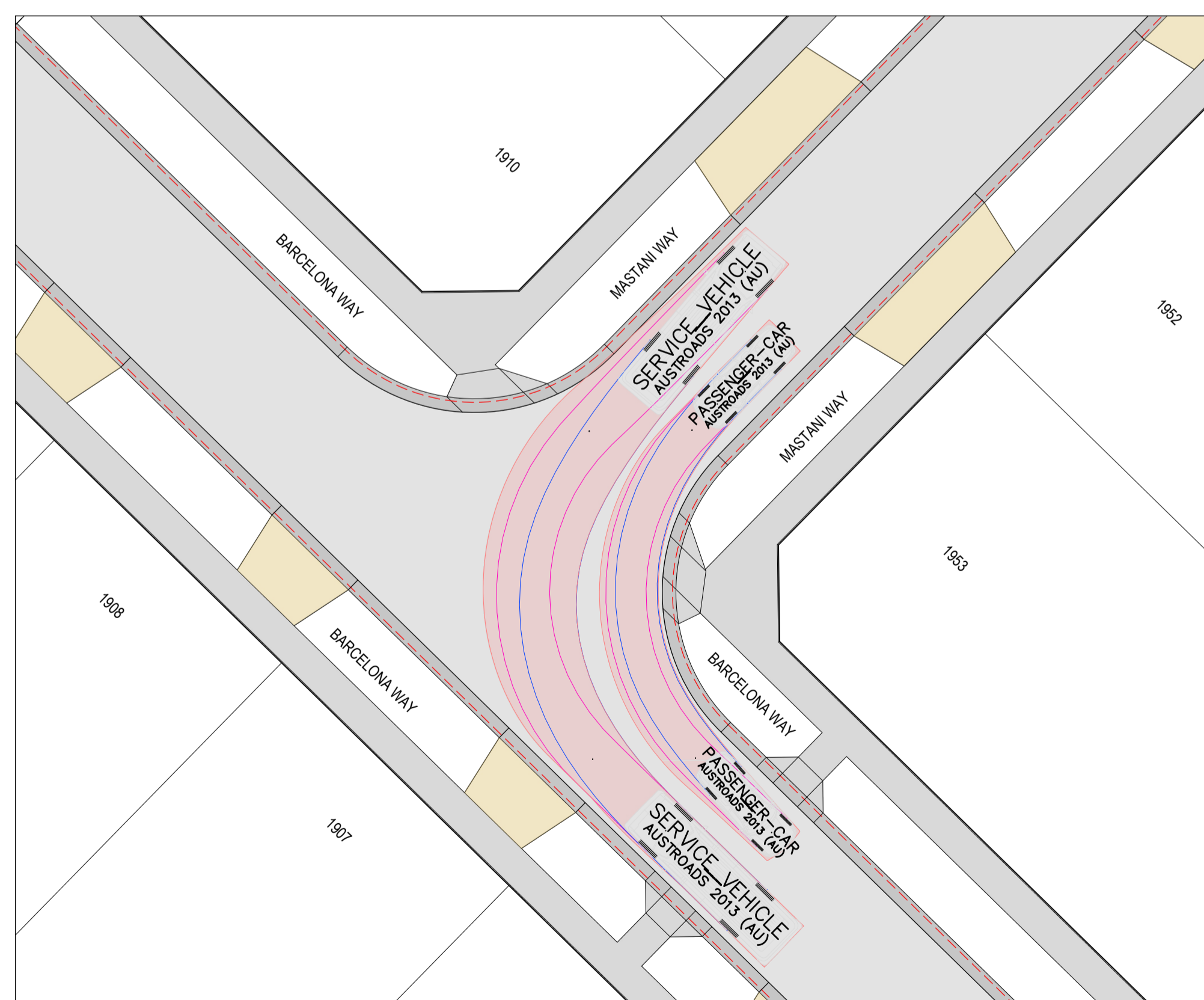
- INVERT OF KERB
- VEHICLE BODY PATH
- FRONT WHEEL PATH
- REAR WHEEL PATH



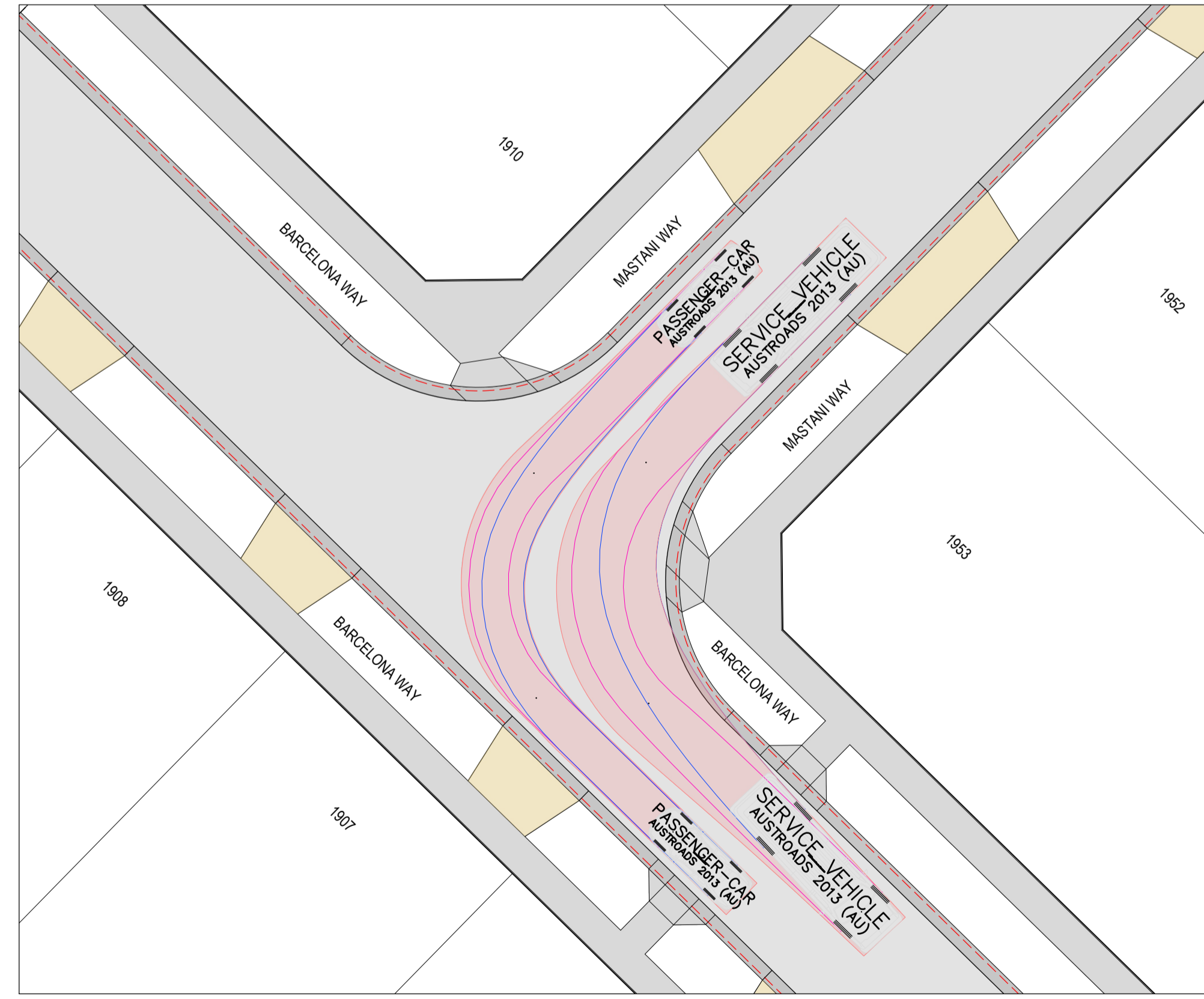
BARCELONA WAY / MASTANI WAY INTERSECTION - 1



BARCELONA WAY / MASTANI WAY INTERSECTION - 2



BARCELONA WAY / MASTANI WAY INTERSECTION - 3



BARCELONA WAY / MASTANI WAY INTERSECTION - 4

REVISION	DATE	ISSUE DESCRIPTION	DRAWN	CHECKED	APPROVED
A	23/10/23	ISSUED FOR APPROVAL	M.PLANT	C.ROHDE	M.TROUNCE

CLIENT

Communities Designed for Living

PROJECT

Suite 1, 2 Bloomsbury Street  
Newtown, VIC, Australia 3220

DRAWING TITLE

ALAMORA - STAGE 19  
TURNING TEMPLATES - 1

STATUS

**ISSUED FOR APPROVAL**  
**NOT FOR CONSTRUCTION**

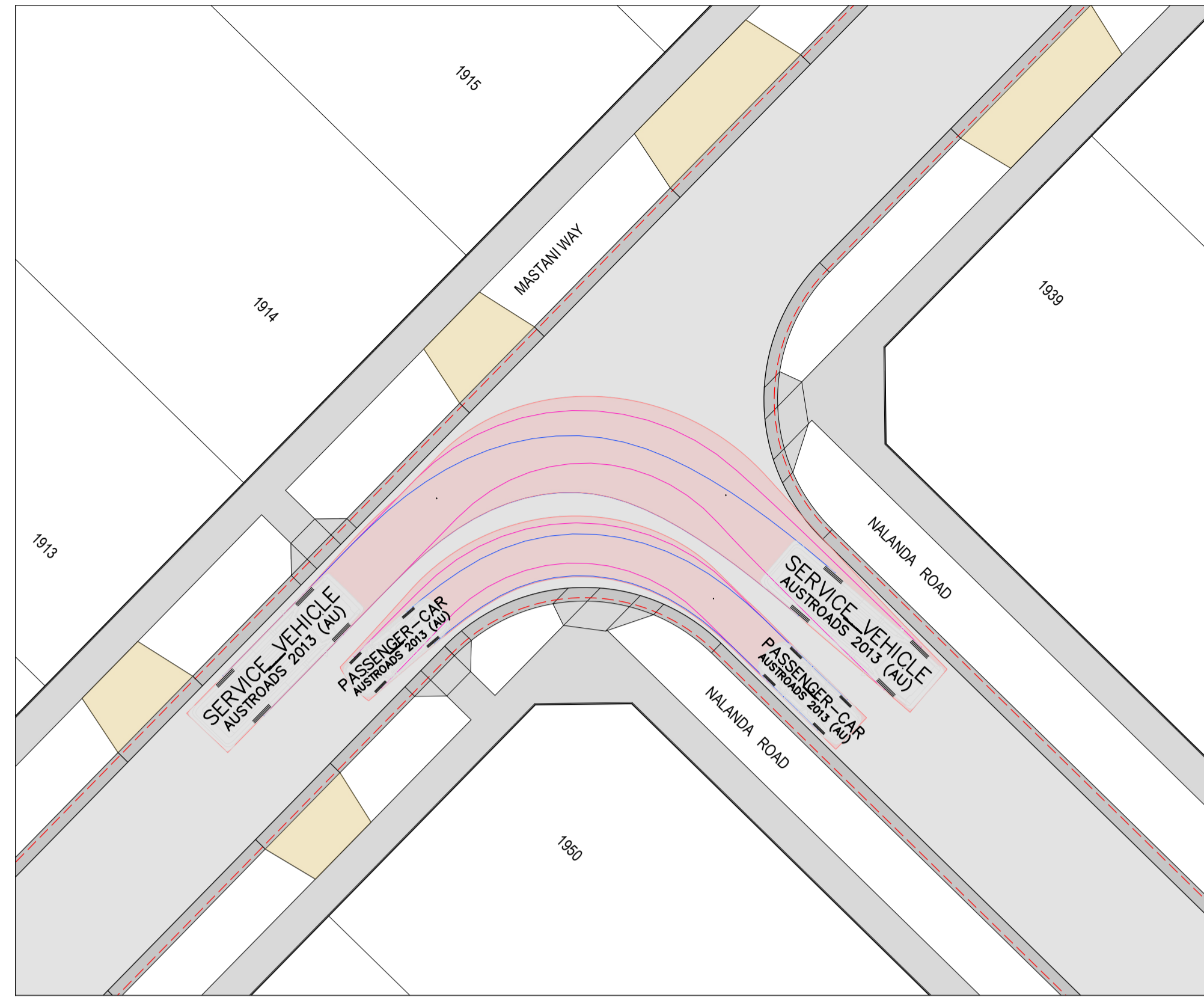
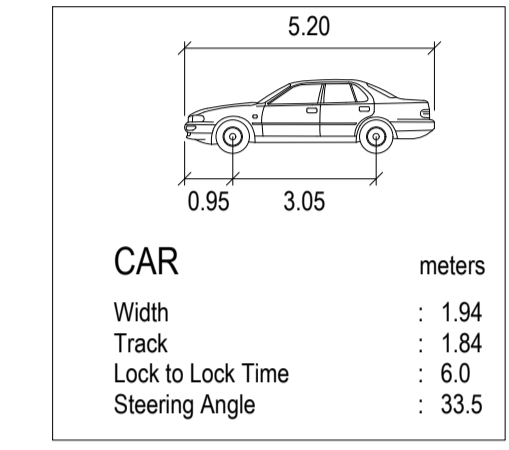
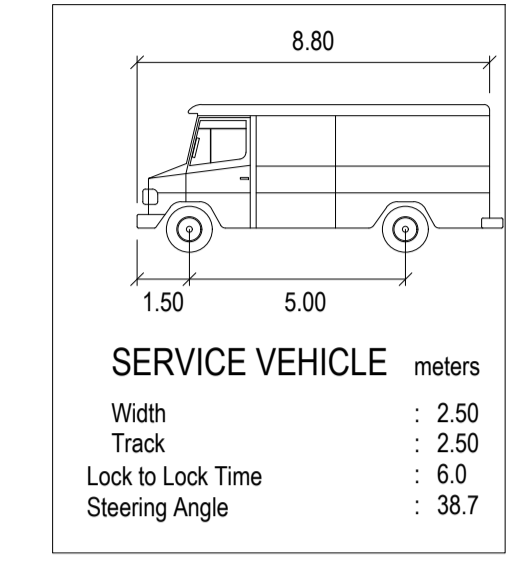
SCALE @ A1 : 1:200

DESIGNED	M.PLANT	PROJECT ENGINEER	C.ROHDE
DRAWN	M.PLANT	PROJECT MANAGER	M.TROUNCE
PROJECT No.	200282.19	DRAWING No.	F400
REVISION			A

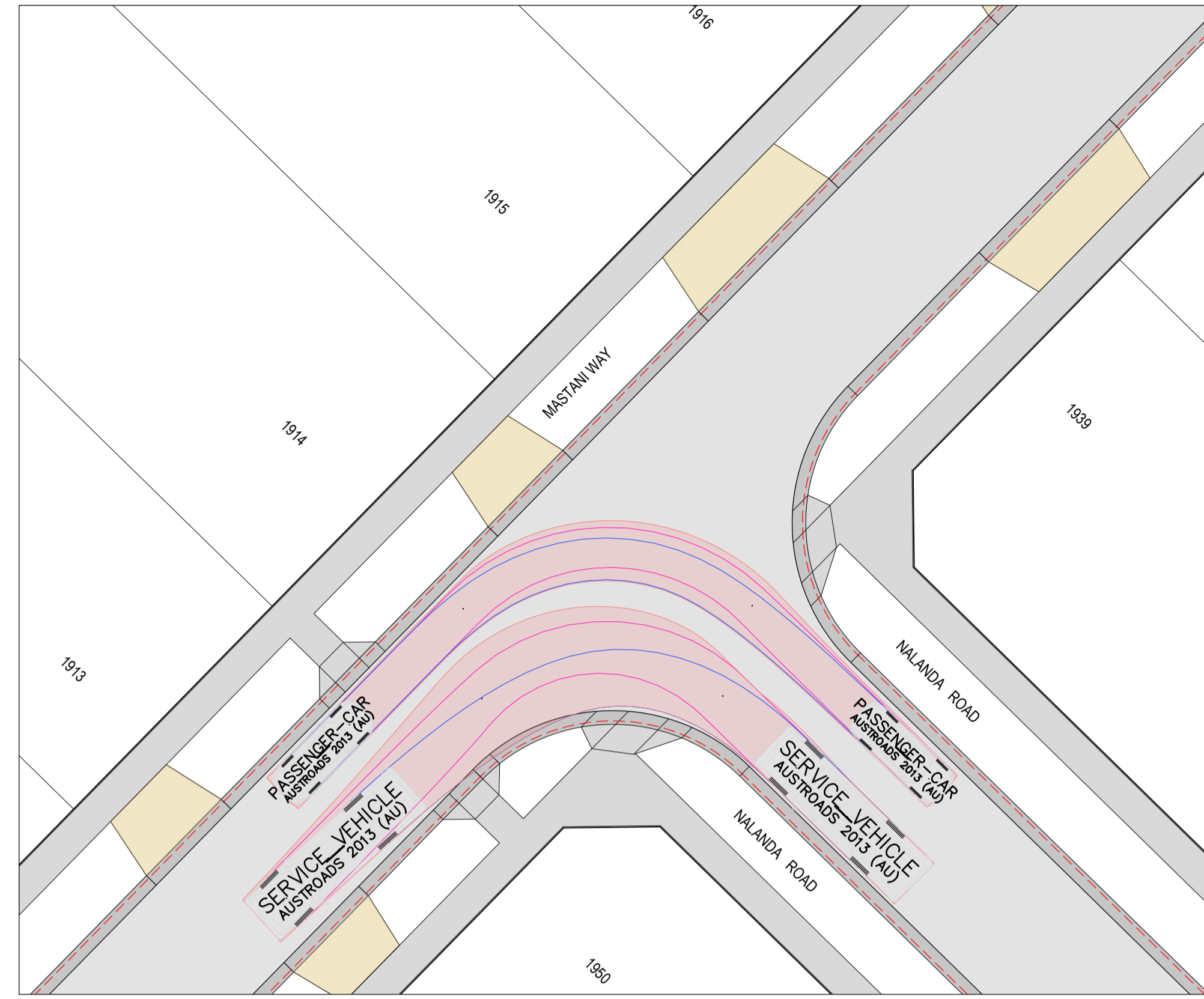


**LEGEND - FUNCTIONAL TURNING TEMPLATES**

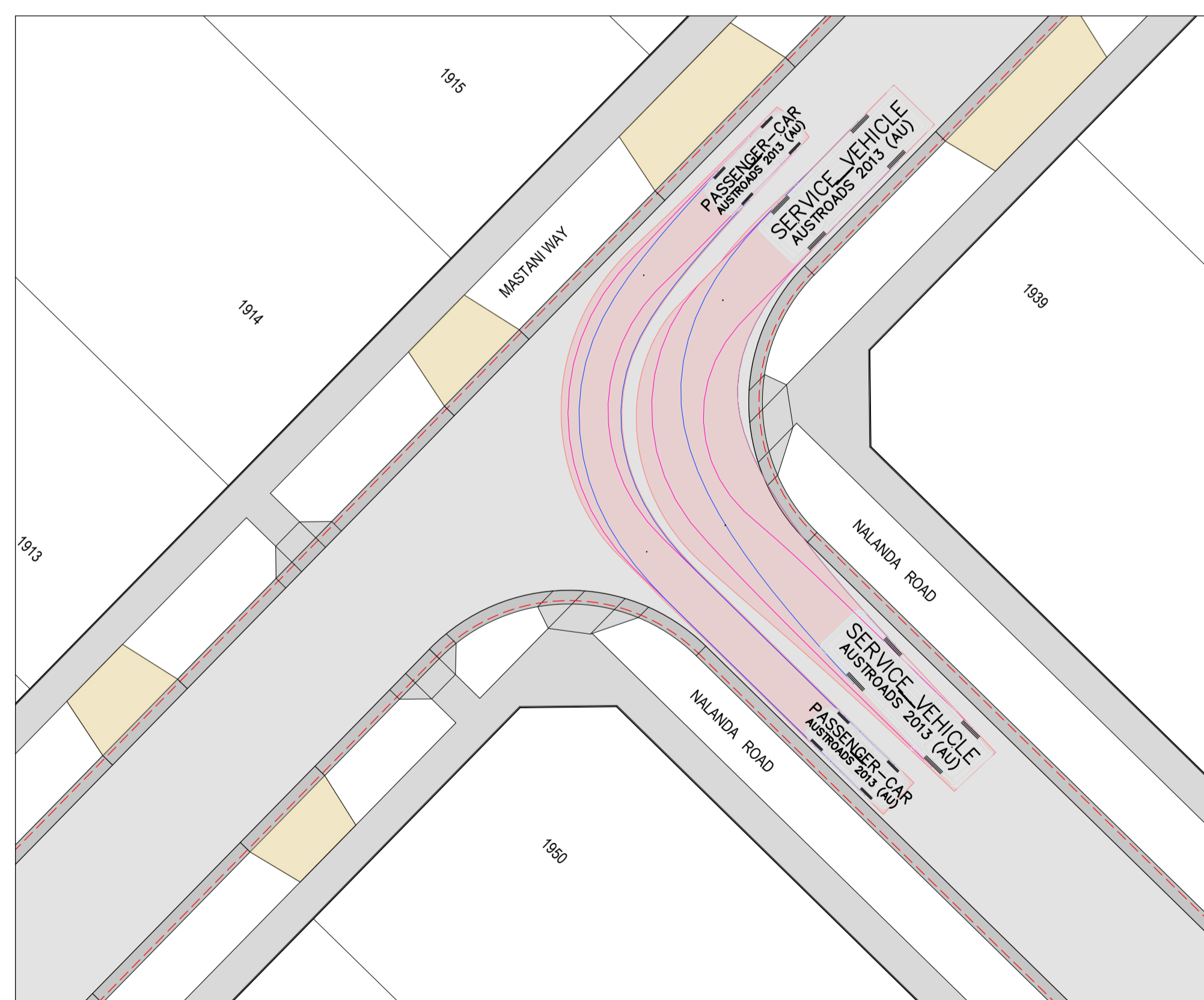
- INVERT OF KERB
- VEHICLE BODY PATH
- FRONT WHEEL PATH
- REAR WHEEL PATH



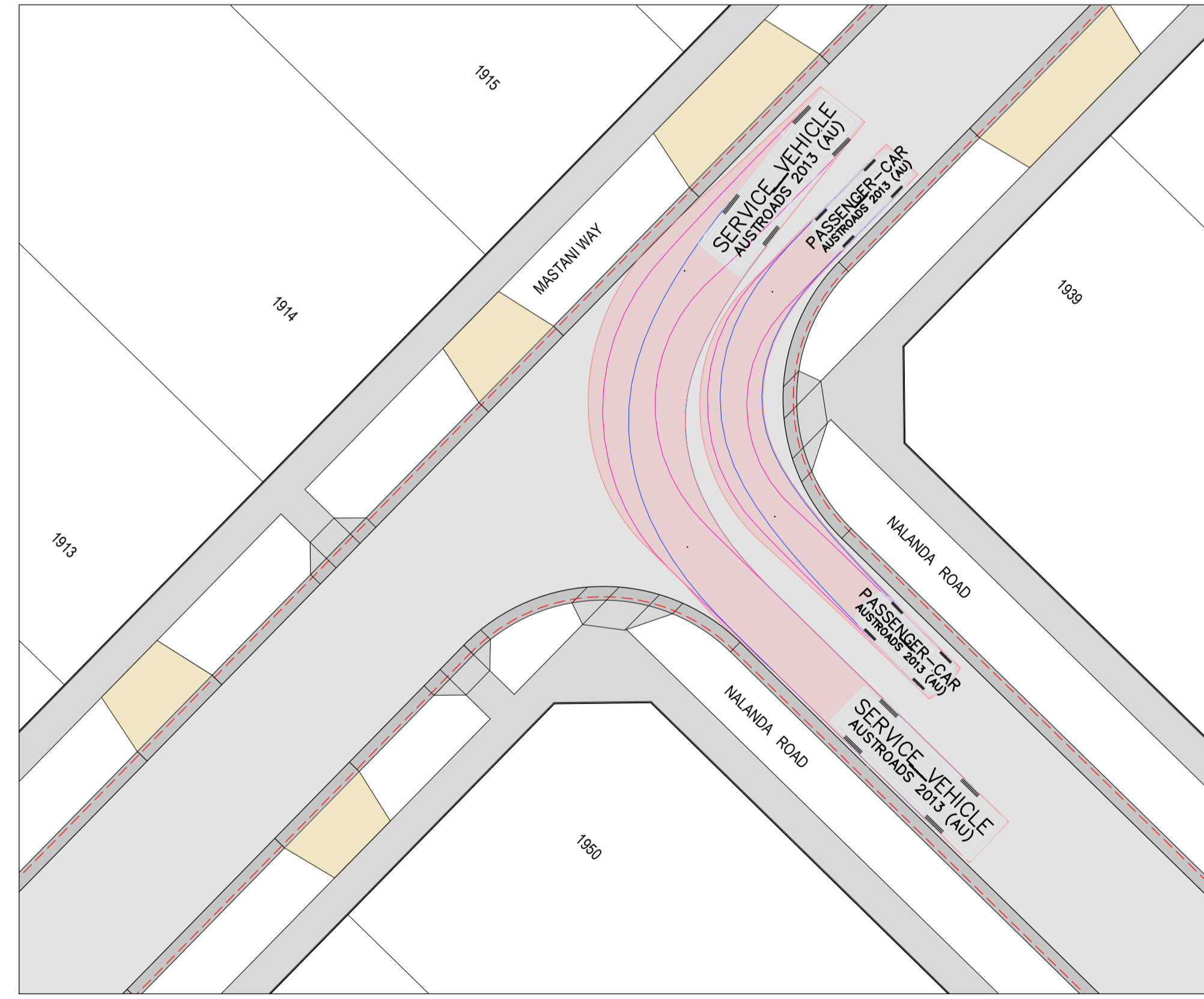
NALANDA ROAD / MASTANI WAY INTERSECTION - 1



NALANDA ROAD / MASTANI WAY INTERSECTION - 2



NALANDA ROAD / MASTANI WAY INTERSECTION - 3



NALANDA ROAD / MASTANI WAY INTERSECTION - 4

REVISION	DATE	ISSUE DESCRIPTION	DRAWN	CHECKED	APPROVED
A	23/10/23	ISSUED FOR APPROVAL	M.PLANT	C.ROHDE	M.TROUNCE

CLIENT

**villawood**  
properties  
Communities Designed for Living

PROJECT

**creo**  
CONSULTANTS  
Suite 1, 2 Bloomsbury Street  
Newtown, VIC, Australia 3220

DRAWING TITLE

**ALAMORA**  
Turner

DRAWING TITLE

**ALAMORA - STAGE 19**  
TURNING TEMPLATES - 2

STATUS

**ISSUED FOR APPROVAL**  
NOT FOR CONSTRUCTION

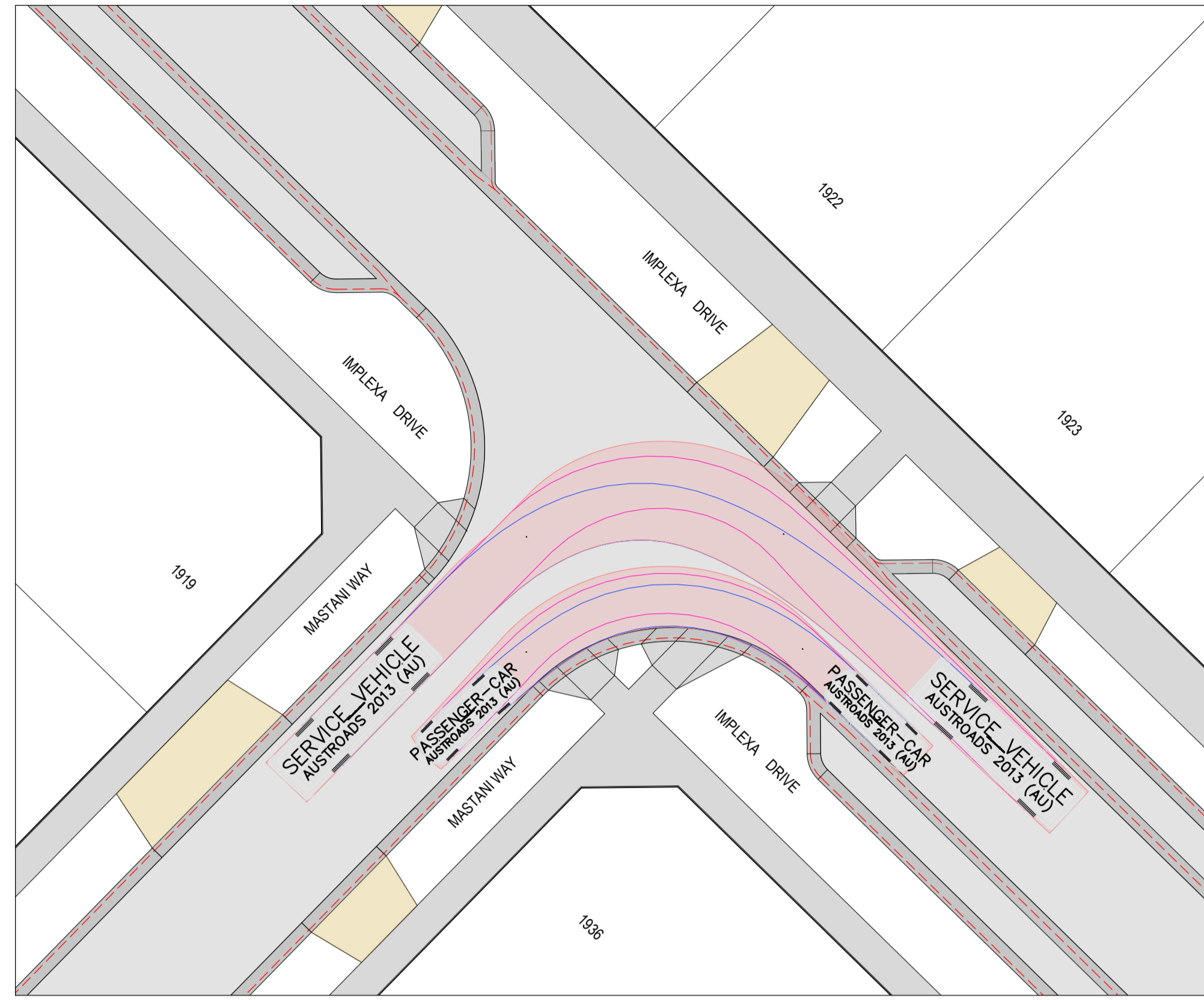
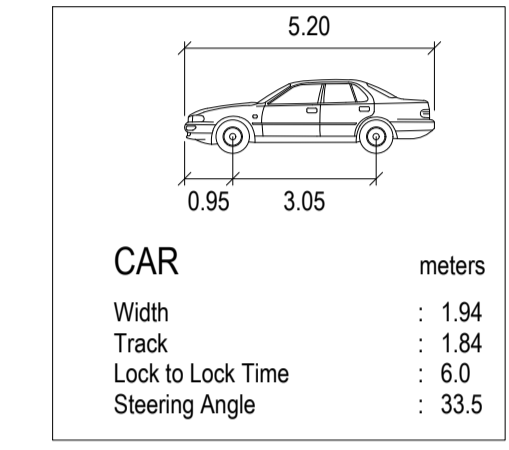
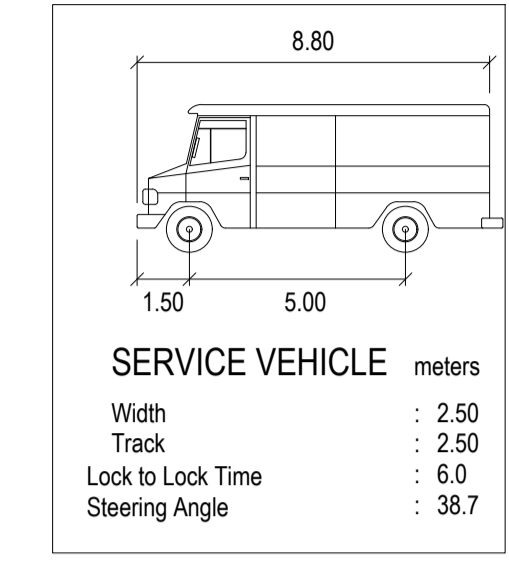
SCALE @ A1 : 1:200

DESIGNED	M.PLANT	PROJECT ENGINEER	C.ROHDE
DRAWN	M.PLANT	PROJECT MANAGER	M.TROUNCE
PROJECT No.	<b>200282.19</b>	DRAWING No.	<b>F401</b>
REVISION			<b>A</b>

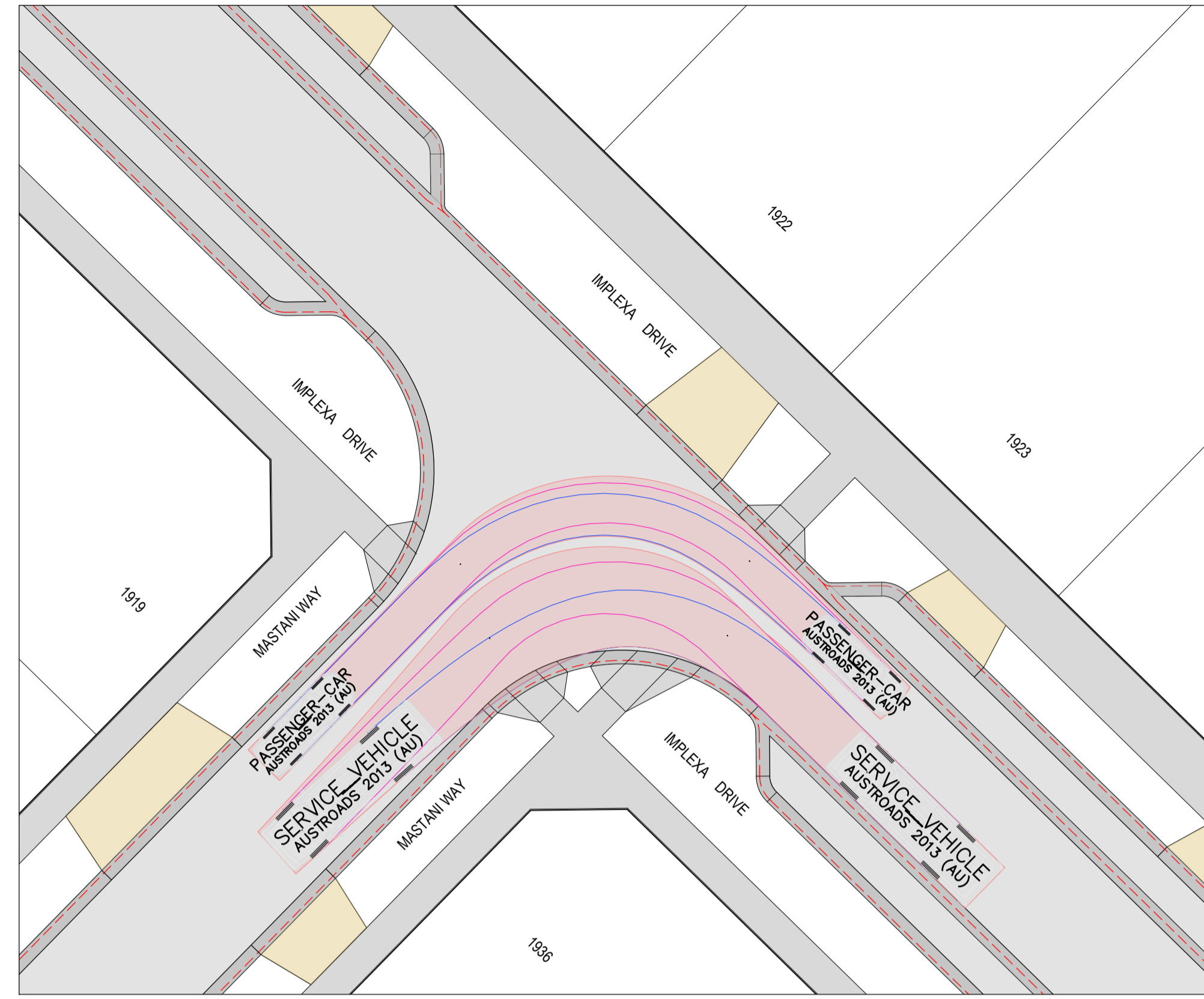


LEGEND - FUNCTIONAL TURNING TEMPLATES

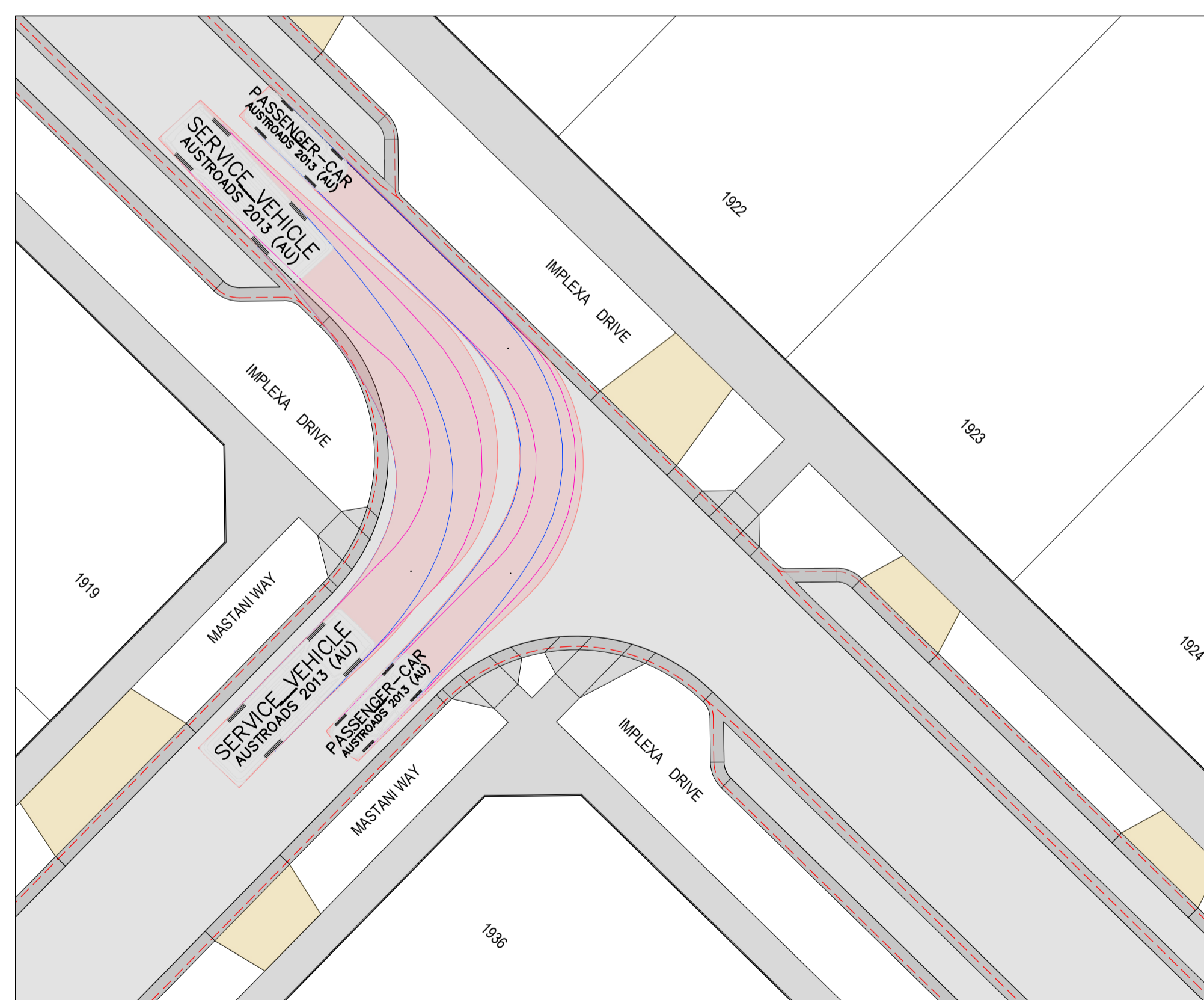
- INVERT OF KERB
- VEHICLE BODY PATH
- FRONT WHEEL PATH
- REAR WHEEL PATH



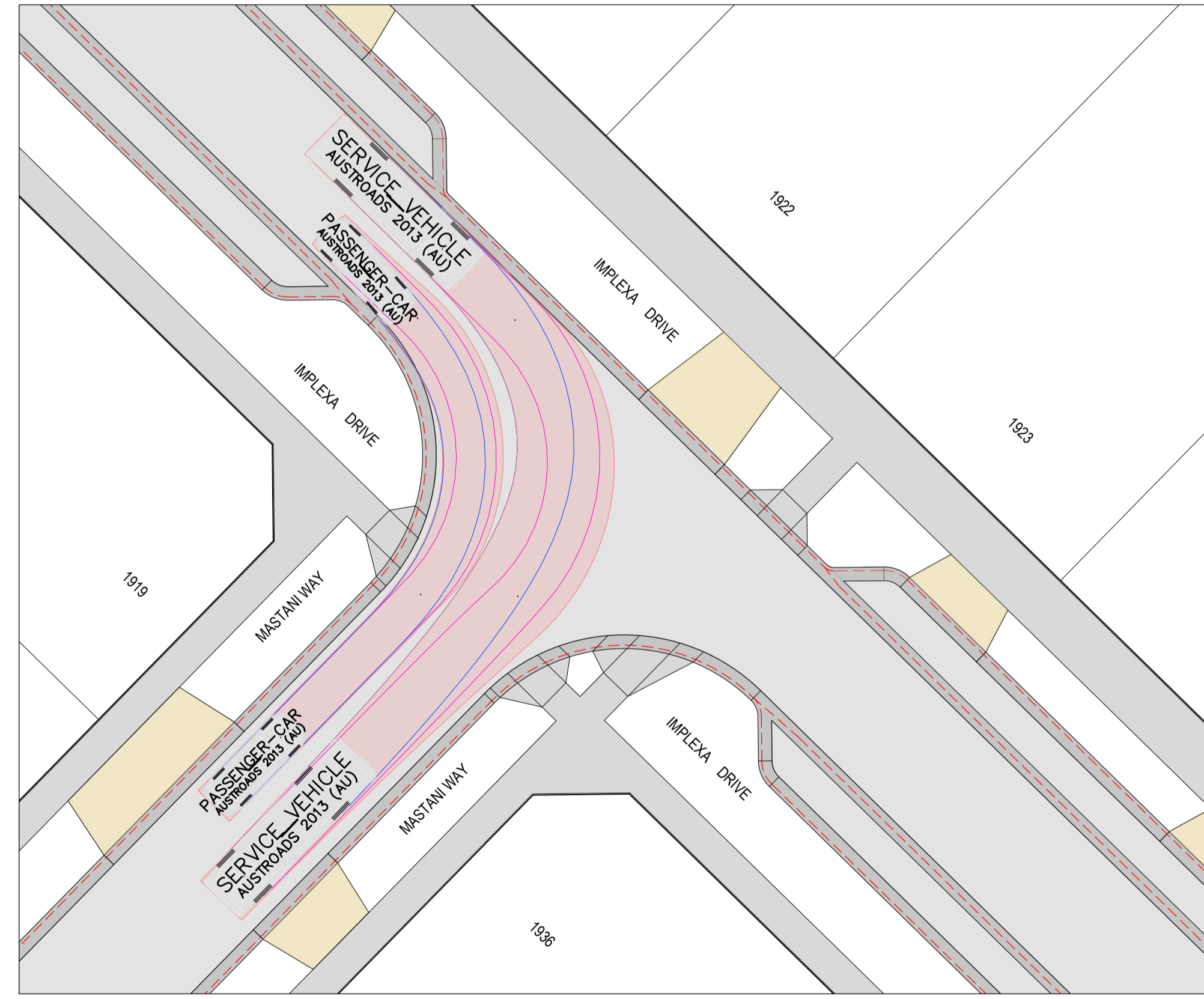
IMPLEXA DRIVE / MASTANI WAY INTERSECTION - 1



IMPLEXA DRIVE / MASTANI WAY INTERSECTION - 2



IMPLEXA DRIVE / MASTANI WAY INTERSECTION - 3



IMPLEXA DRIVE / MASTANI WAY INTERSECTION - 4

REVISION	DATE	ISSUE DESCRIPTION	DRAWN	CHECKED	APPROVED
A	23/10/23	ISSUED FOR APPROVAL	M.PLANT	C.ROHDE	M.TROUNCE

CLIENT

Communities Designed for Living

creo CONSULTANTS

Suite 1, 2 Bloomsbury Street  
Newtown, VIC, Australia 3220

PROJECT

DRAWING TITLE

**ALAMORA - STAGE 19  
TURNING TEMPLATES - 3**

STATUS

**ISSUED FOR APPROVAL  
NOT FOR CONSTRUCTION**

SCALE @ A1 : 1:200

DESIGNED	M.PLANT	PROJECT ENGINEER	C.ROHDE
DRAWN	M.PLANT	PROJECT MANAGER	M.TROUNCE
PROJECT No.	<b>200282.19</b>	DRAWING No.	<b>F402</b>
REVISION			<b>A</b>